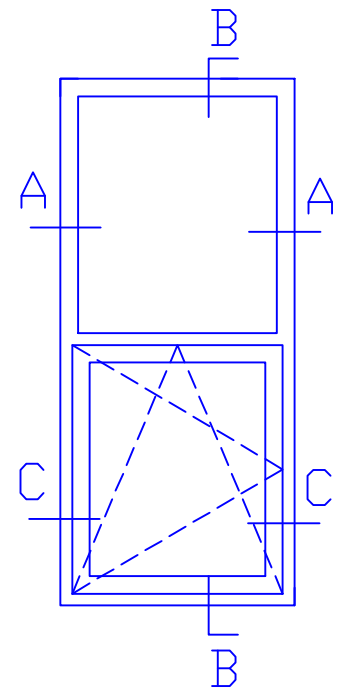
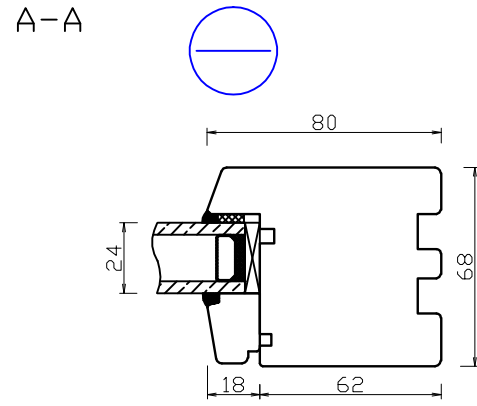
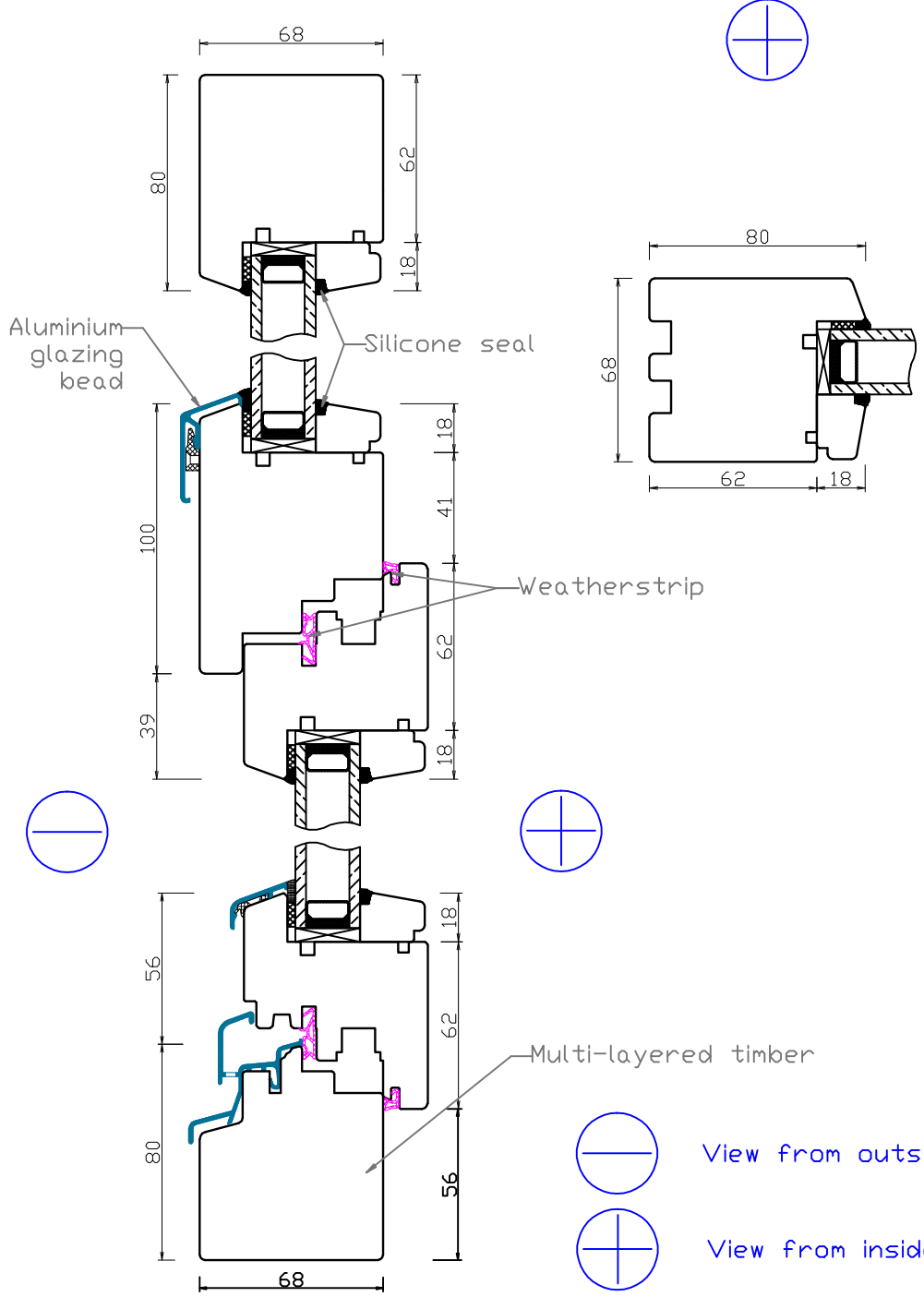
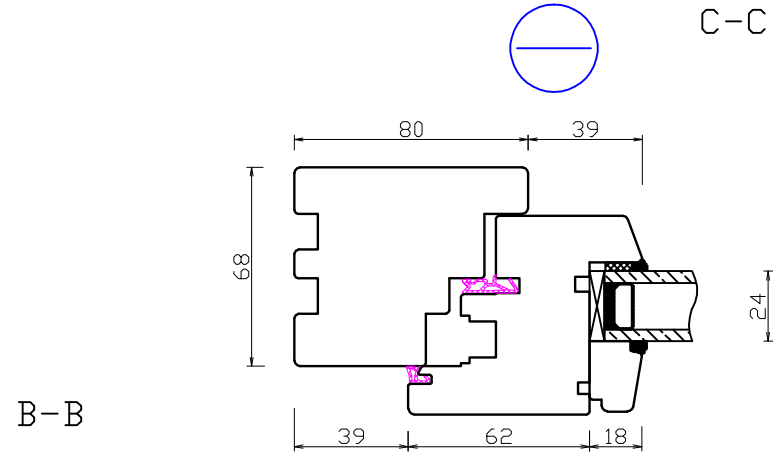


ADDITIONAL OPTIONS



View from outside  
View from inside

STANDRAD FLUSH SILL

Hardwood OAK sill extension

Groove for engineered wood window board

Engineered wood window board

Aluminium sill

Groove for MDF window board

25mm Glazing Bar

50mm Glazing Bar

**Natural Windows Ltd**  
 10 Park Parade, Gunnersbury Avenue, London W3 9BD  
 www.naturalwindows.com info@naturalwindows.com

**Object:**  
 TW7  
 68 EURO PROFILE  
 COMBINED TILT & TURN AND  
 DIRECT GLAZED WINDOW