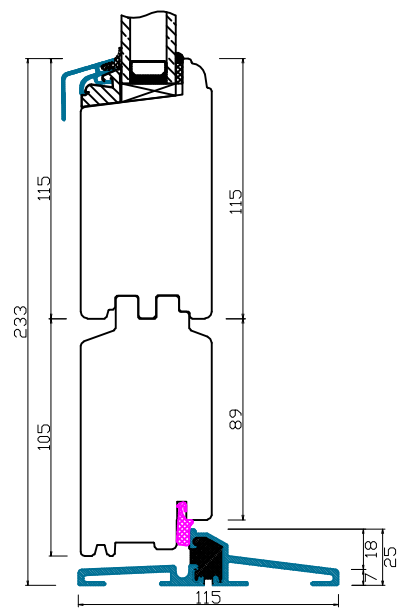
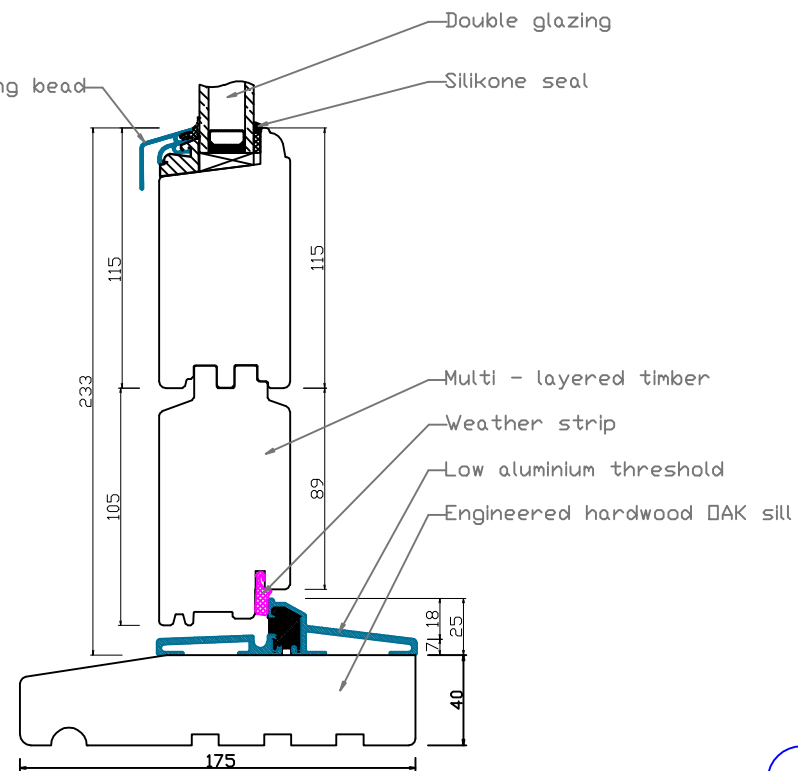


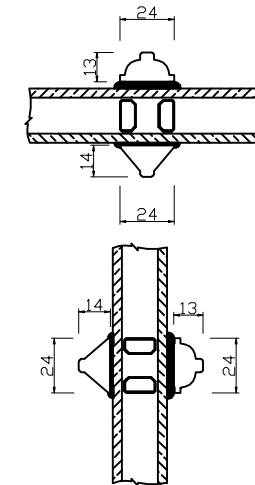
FLUSH HARDWOOD SILL



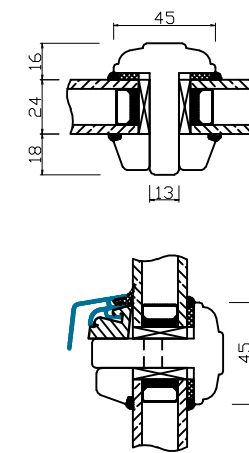
LOW ALUMINIUM SILL



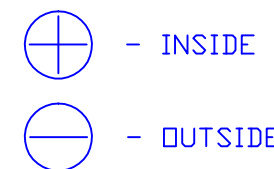
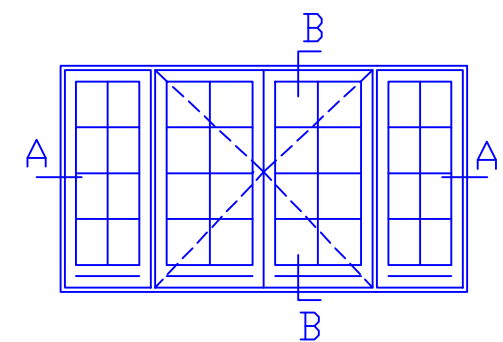
COMBINED ALUMINIUM - HARDWOOD SILL



24MM GLAZING BAR WITH ALU SPACER



45MM SOLID GLAZING BAR



Natural Windows Ltd  
 10 Park Parade, Gunnersbury Avenue, London W3 9BD  
 www.naturalwindows.com info@naturalwindows.com

Object:  
**OUTWARD OPENING FRENCH DOOR WITH SIDE LIGHTS AND GLAZING BAR**

Client: \_\_\_\_\_ Quotation: \_\_\_\_\_  
 Date: \_\_\_\_\_