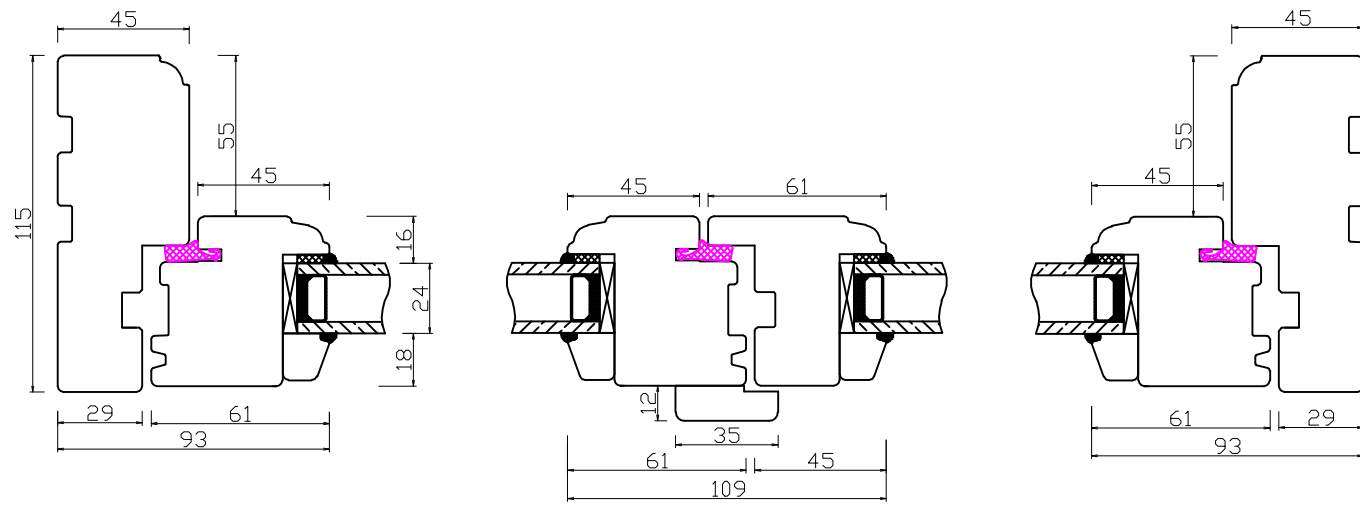
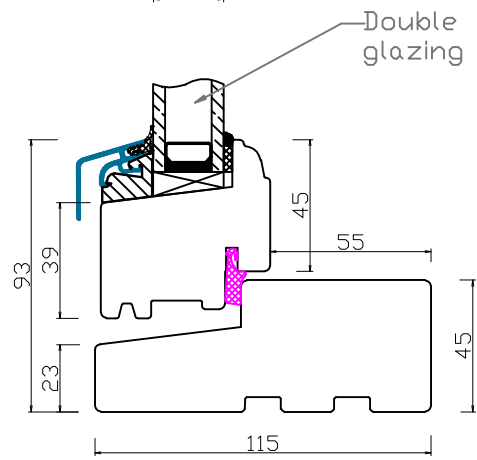
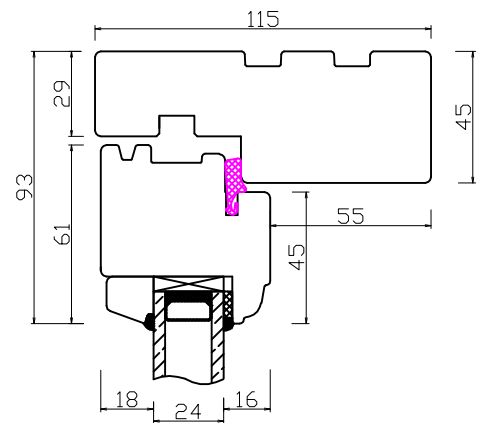


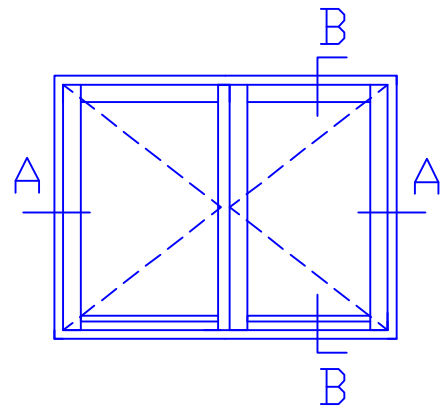
A-A



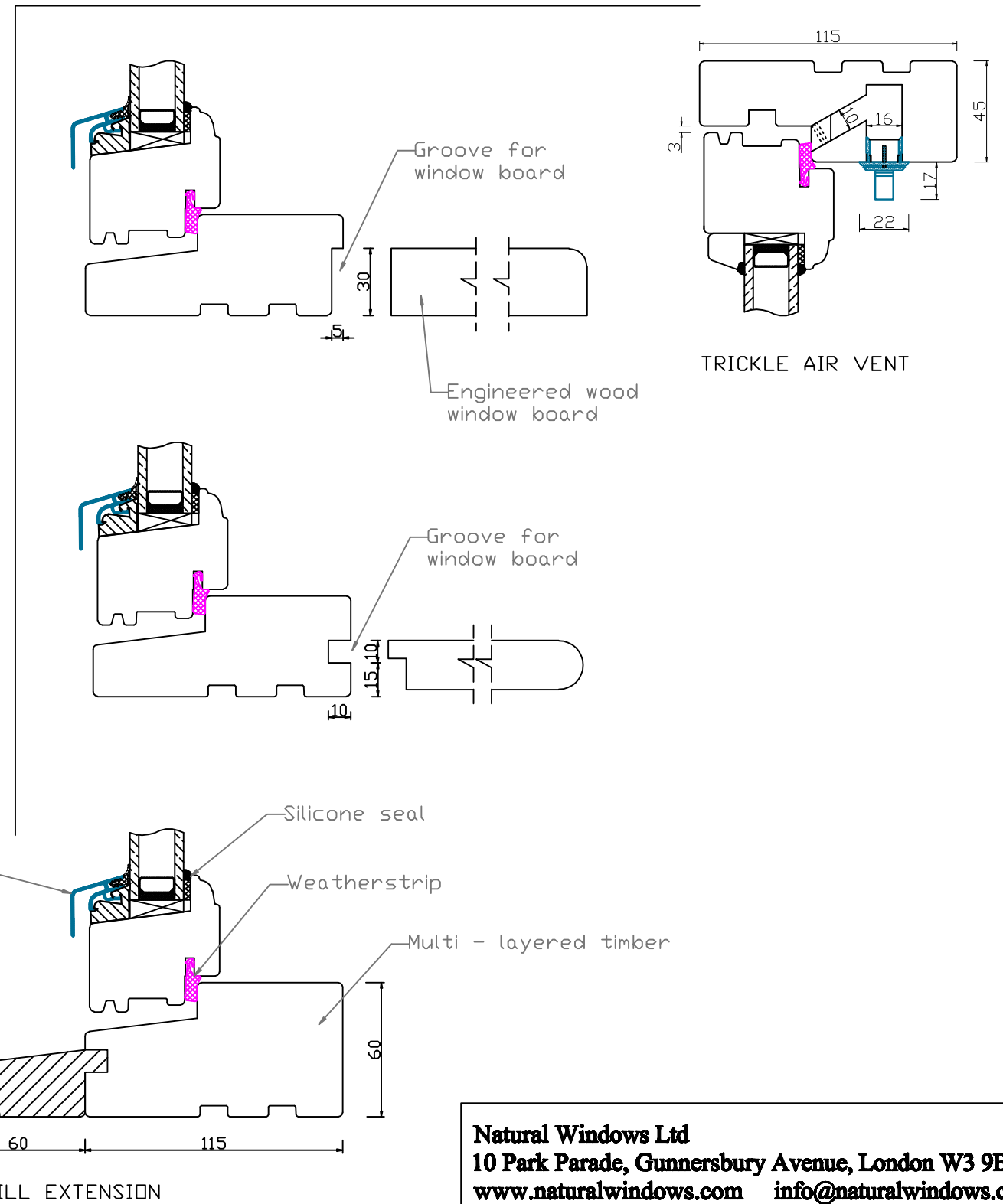
B-B



STANDARD FLUSH SILL



ADDITIONAL OPTIONS



60mm SILL EXTENSION

**Natural Windows Ltd**  
 10 Park Parade, Gunnersbury Avenue, London W3 9BD  
[www.naturalwindows.com](http://www.naturalwindows.com) [info@naturalwindows.com](mailto:info@naturalwindows.com)

**Object:**  
**CW9**  
**PROFILE D'LUX**  
**SIDE HUNG FRENCH WINDOW**