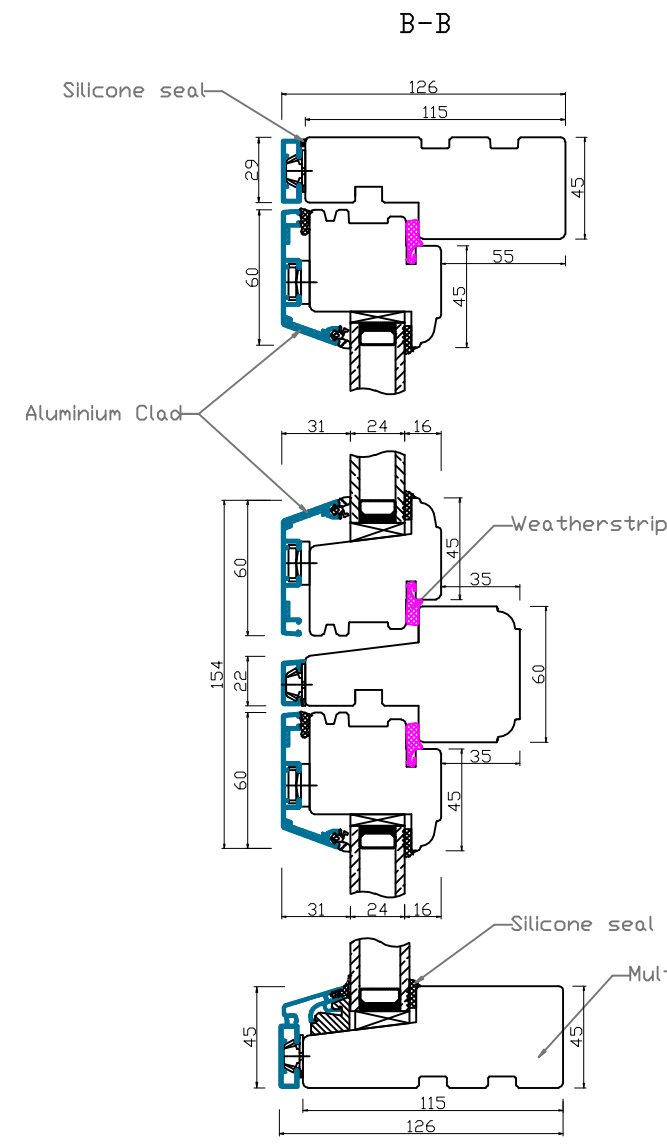
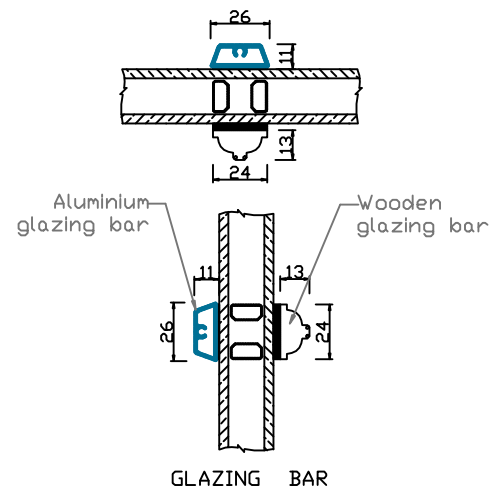


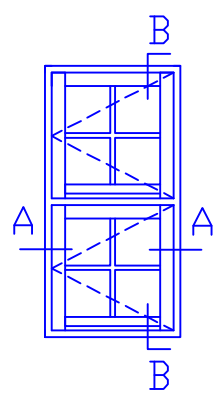
A-A



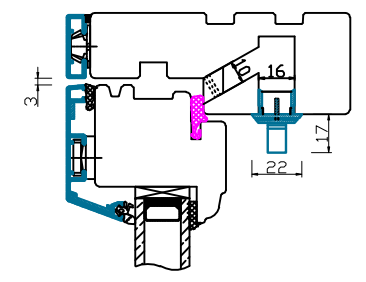
B-B



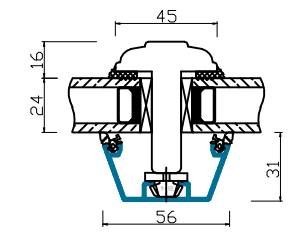
GLAZING BAR



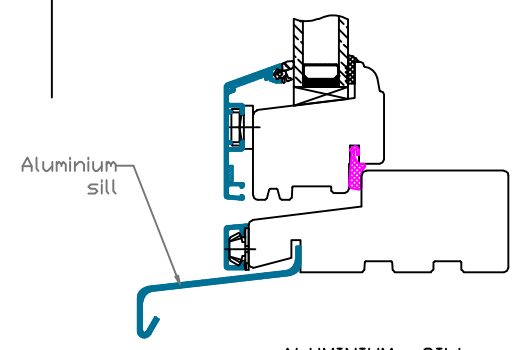
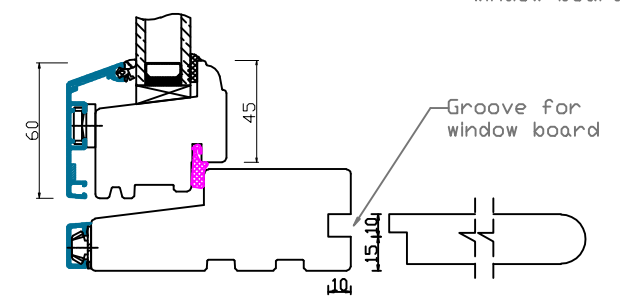
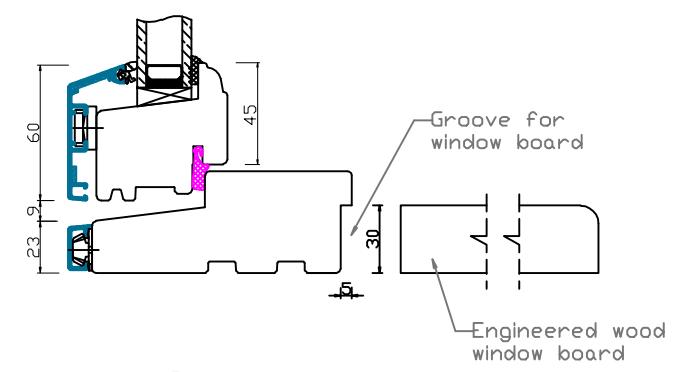
ADDITIONAL OPTIONS



TRICKLE AIR VENT



SOLID GLAZING BAR



ALUMINIUM SILL

Natural Windows Ltd
 10 Park Parade, Gunnersbury Avenue, London W3 9BD
 www.naturalwindows.com info@naturalwindows.com

Object: CW8
 PROFILE ALUX
 ALUMINIUM CLAD
 SIDE HUNG OR SIDE SWING
 GLAZING BAR