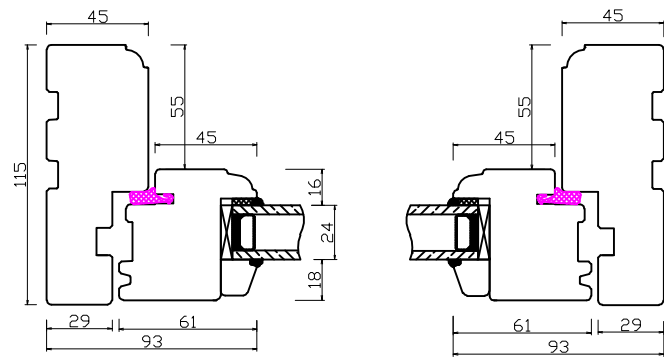
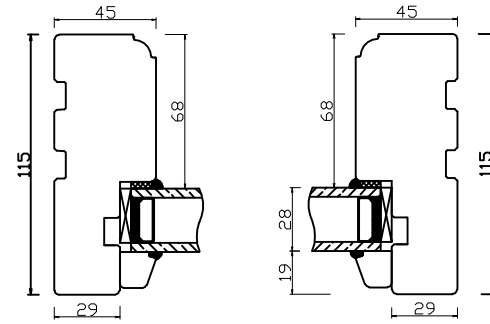


ADDITIONAL OPTIONS

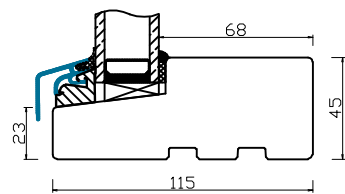
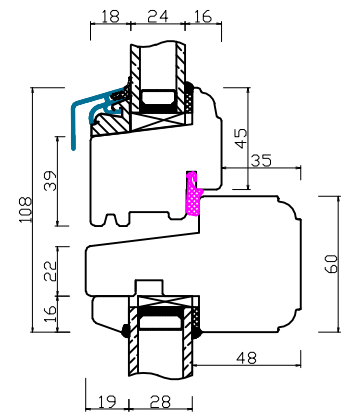
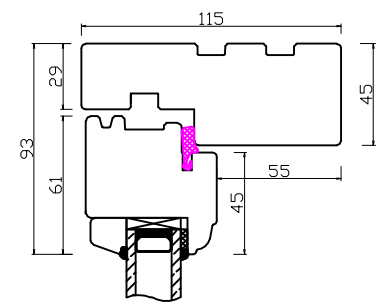
A-A



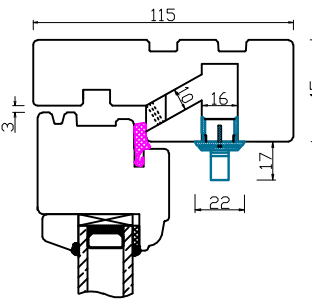
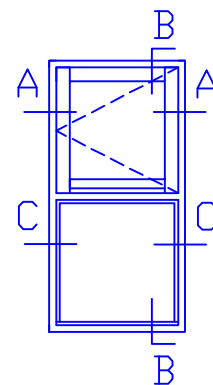
C-C



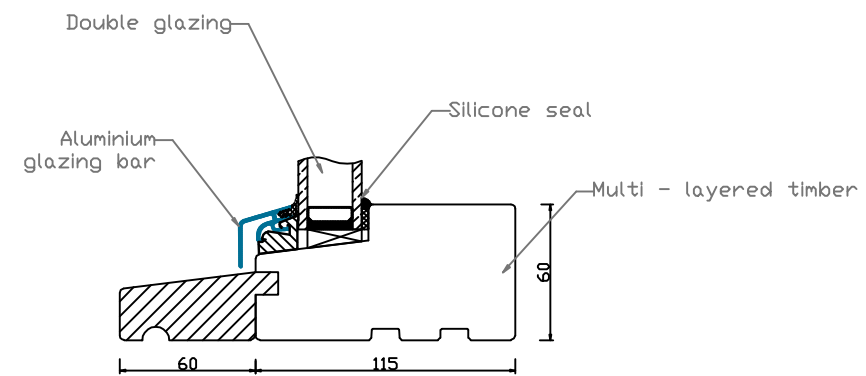
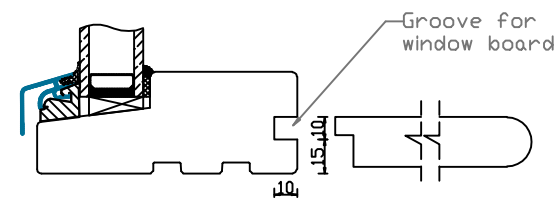
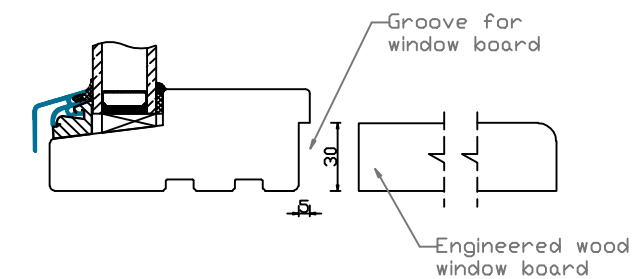
B-B



STANDARD FLUSH SILL



TRICKLE AIR VENT



60mm SILL EXTENSION

Natural Windows Ltd
 10 Park Parade, Gunnersbury Avenue, London W3 9BD
 www.naturalwindows.com info@naturalwindows.com

Object: **CW7
 PROFILE D'LUX
 SIDE HUNG OR SIDE SWING COMBINED
 WITH DIRECT GLAZE WINDOW**