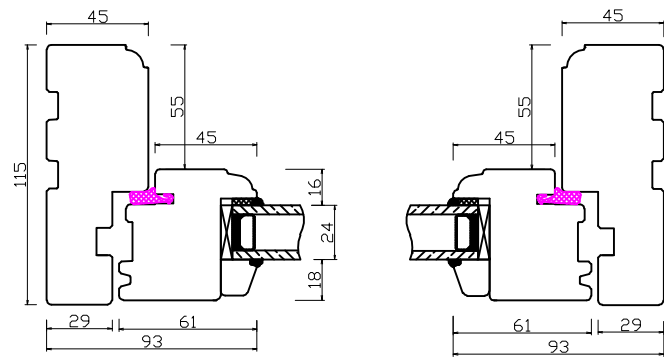
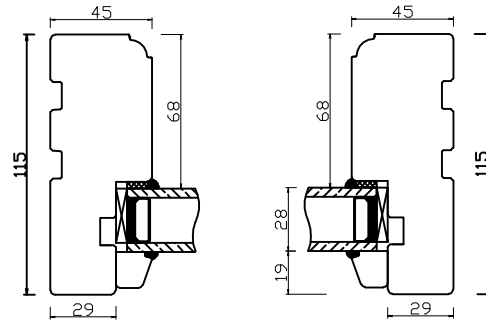


ADDITIONAL OPTIONS

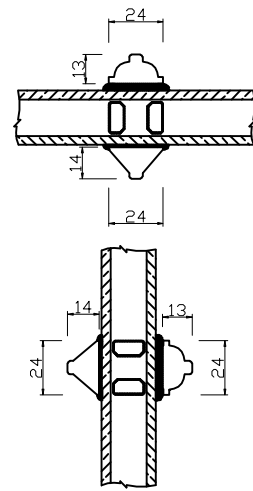
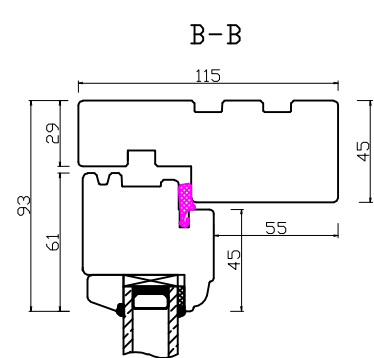
A-A



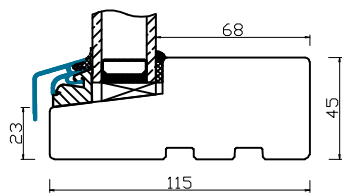
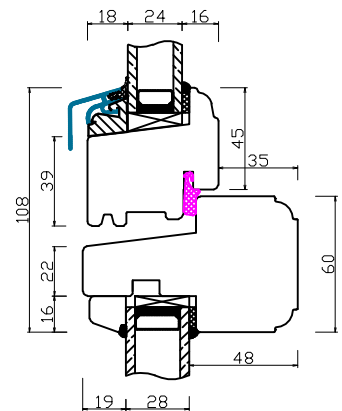
C-C



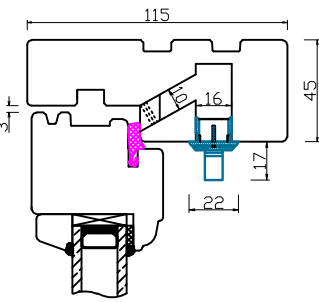
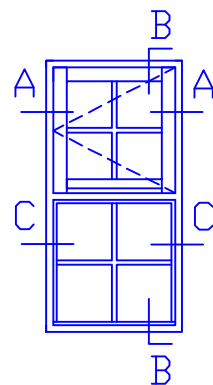
B-B



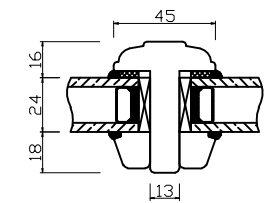
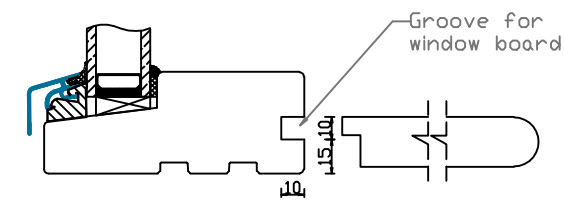
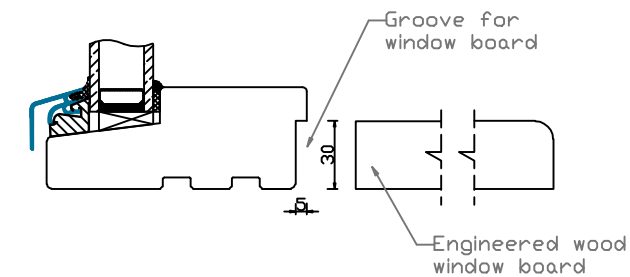
24MM GLAZING BAR WITH ALU SPACER



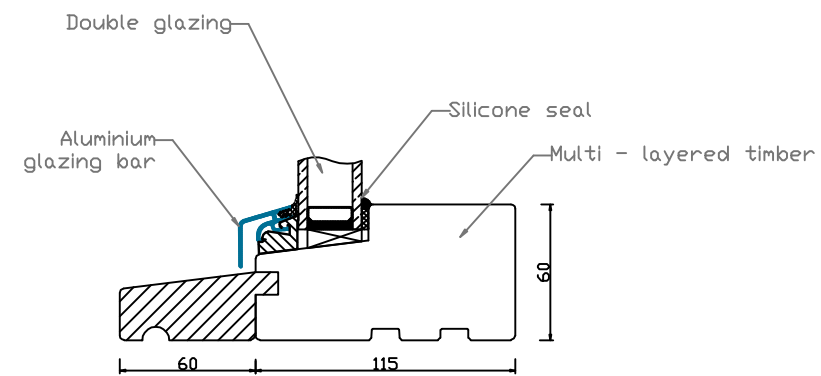
STANDARD FLUSH SILL



TRICKLE AIR VENT



45MM SOLID GLAZING BAR



60mm SILL EXTENSION

Natural Windows Ltd
 10 Park Parade, Gunnersbury Avenue, London W3 9BD
 www.naturalwindows.com info@naturalwindows.com

Object: CW7
 PROFILE DLUX
 SIDE HUNG OR SIDE SWING COMBINED WITH
 DIRECT GLAZE WINDOW
 24mm GLAZING BAR