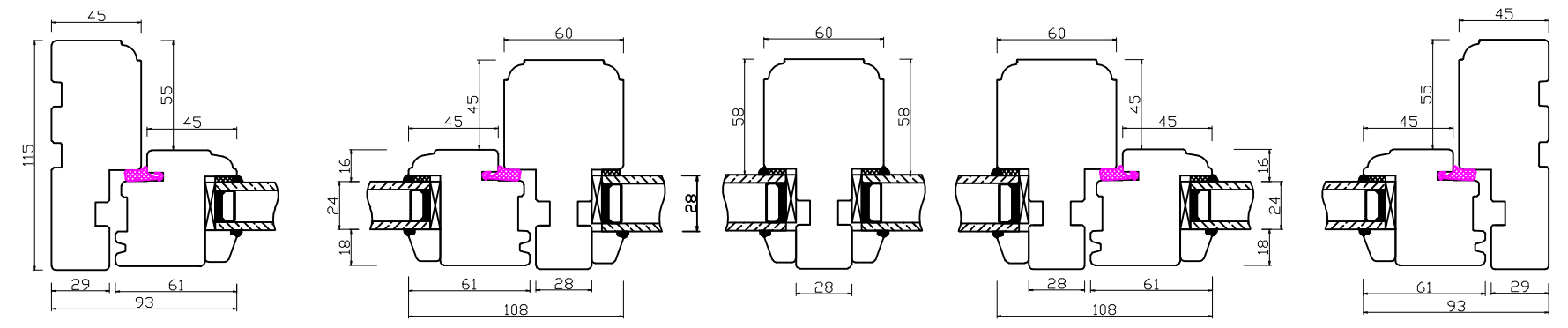
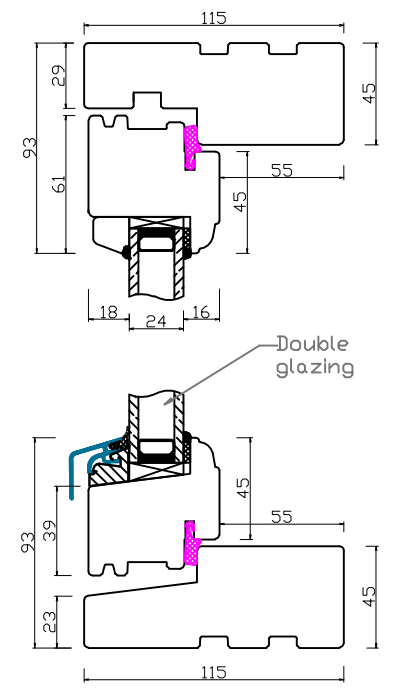


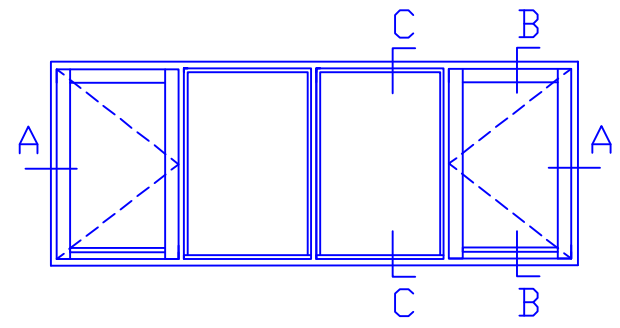
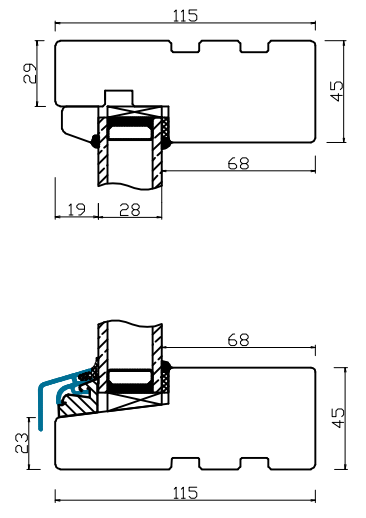
A-A



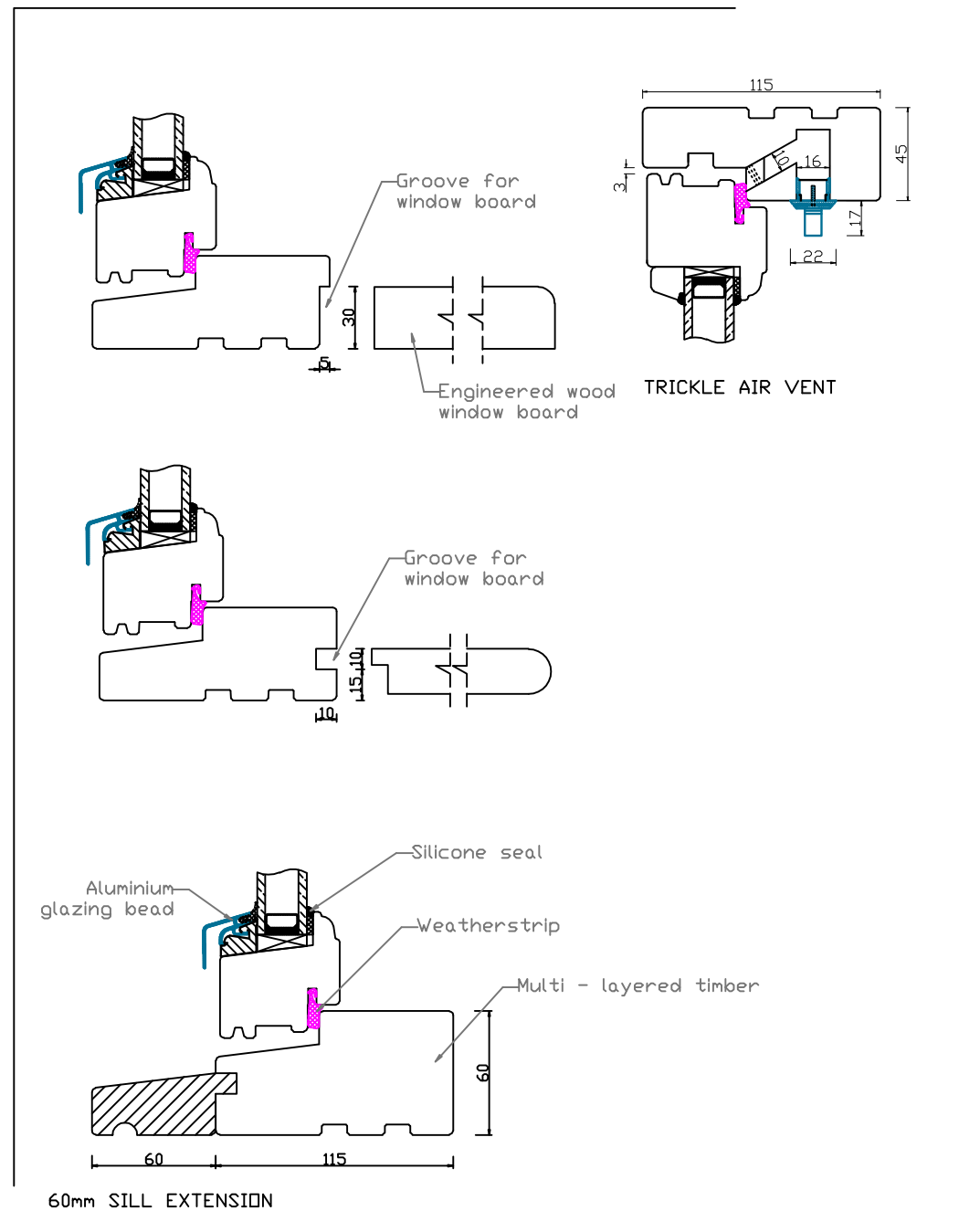
B-B



C-C



ADDITIONAL OPTIONS



Natural Windows Ltd  
 10 Park Parade, Gunnersbury Avenue, London W3 9BD  
 www.naturalwindows.com info@naturalwindows.com

Object: **CW6  
 PROFILE D'LUX  
 SIDE HUNG OR SIDE SWING COMBINED  
 WITH DIRECT GLAZE WINDOW**