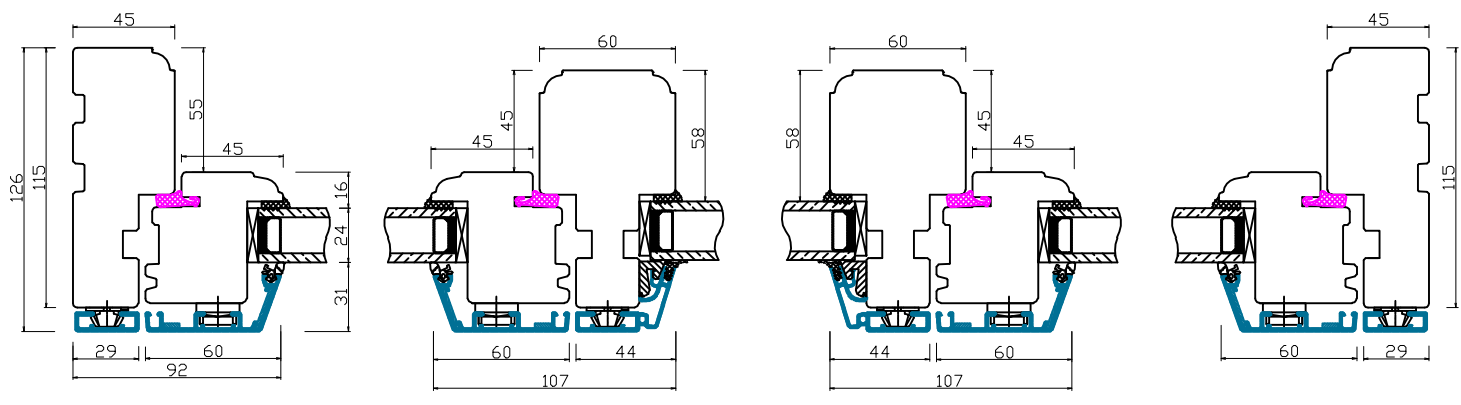
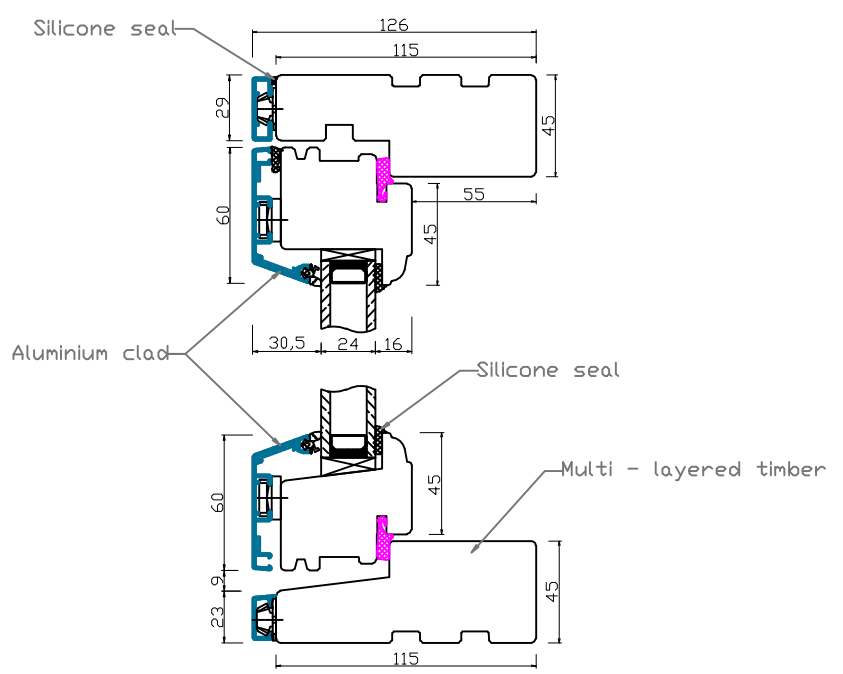


A-A

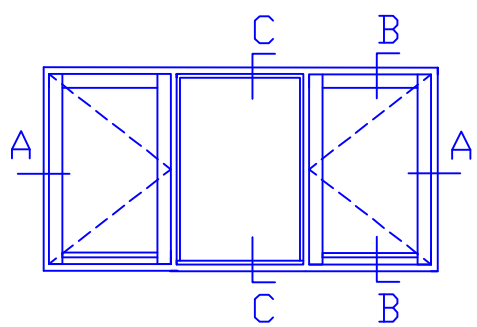
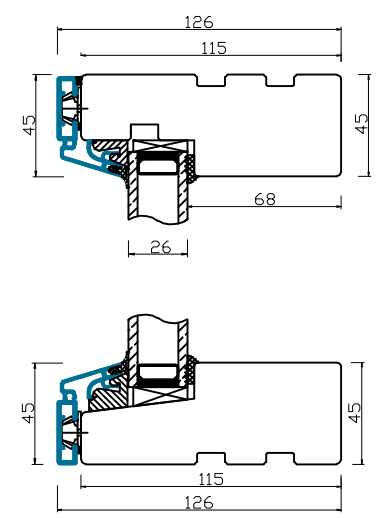


B-B

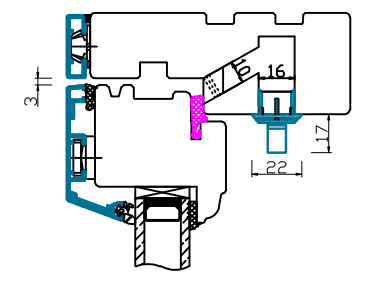


STANDARD FLUSH SILL

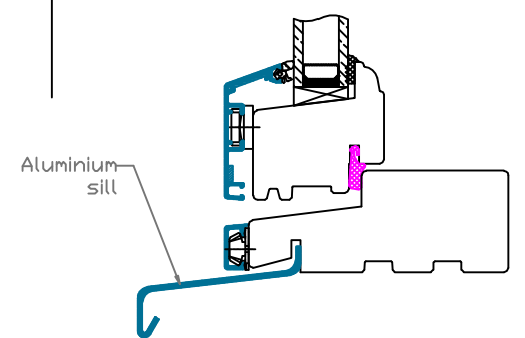
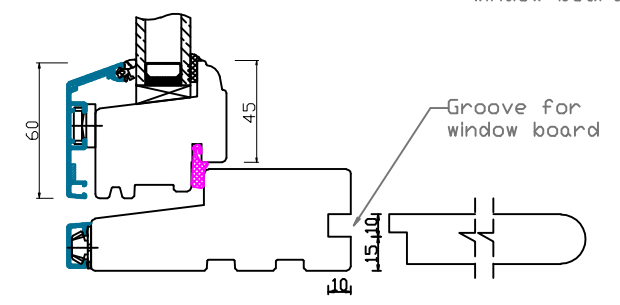
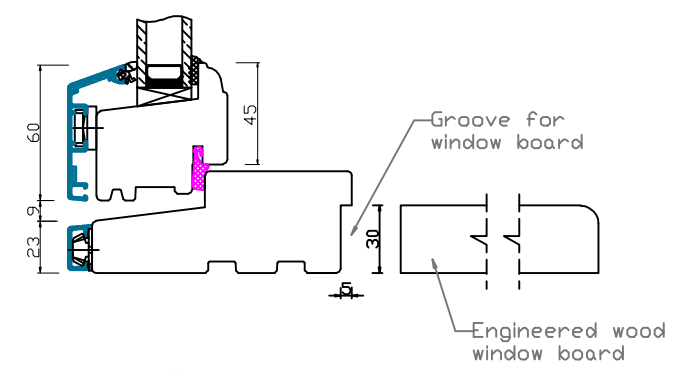
C-C



ADDITIONAL OPTIONS



TRICKLE AIR VENT



ALUMINIUM SILL

Natural Windows Ltd
 10 Park Parade, Gunnersbury Avenue, London W3 9BD
 www.naturalwindows.com info@naturalwindows.com

Object: PROFILE ALUX
 ALUMINIUM CLAD
 SIDE HUNG OR SIDE SWING COMBINED
 WITH DIRECT GLAZE