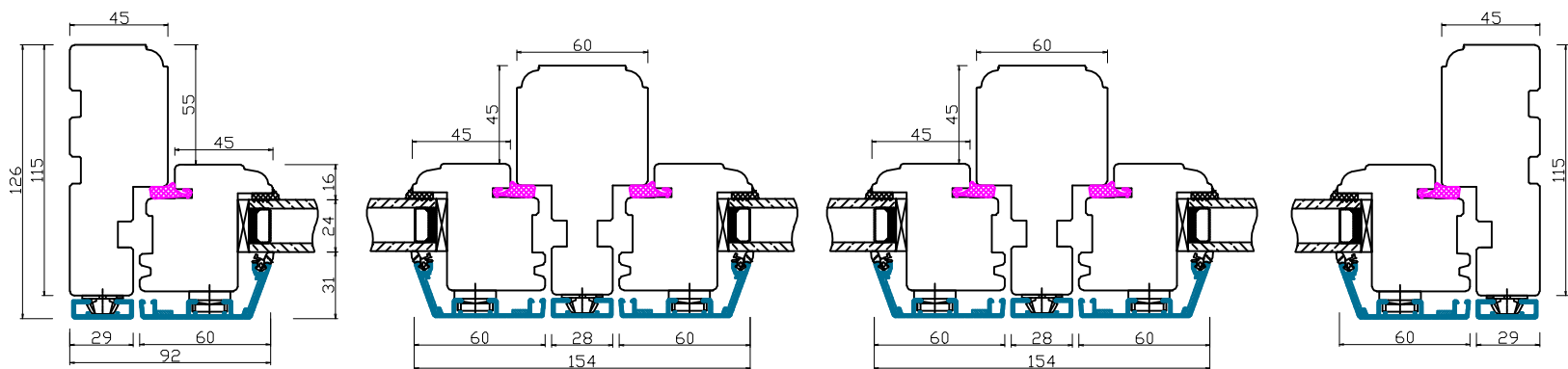
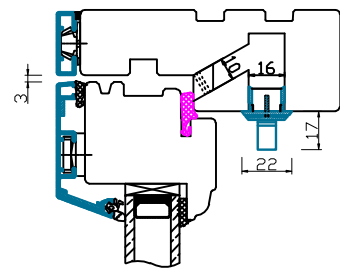


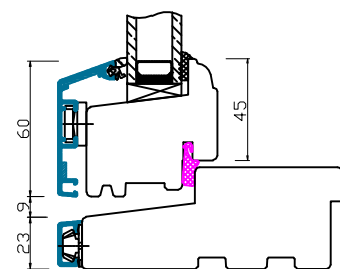
A-A



ADDITIONAL OPTIONS

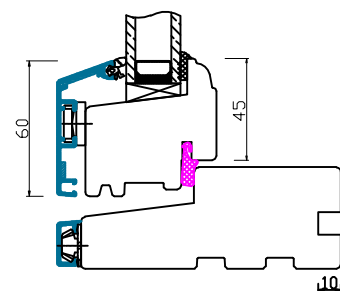


TRICKLE AIR VENT

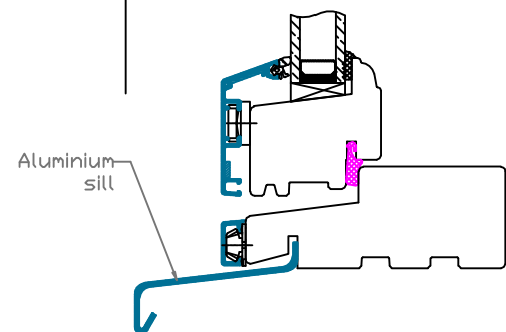


Groove for window board

Engineered wood window board

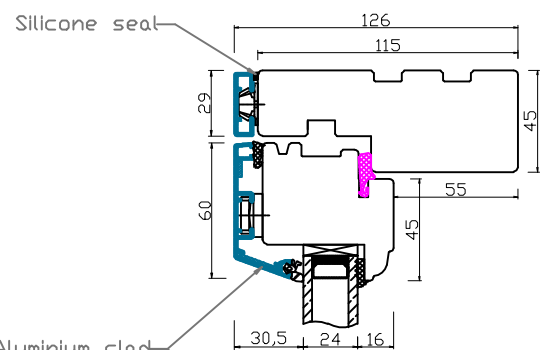


Groove for window board

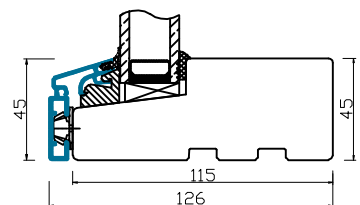
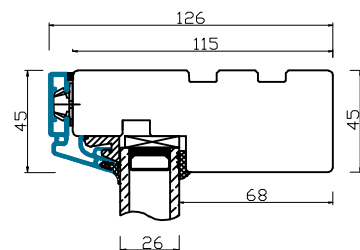


ALUMINIUM SILL

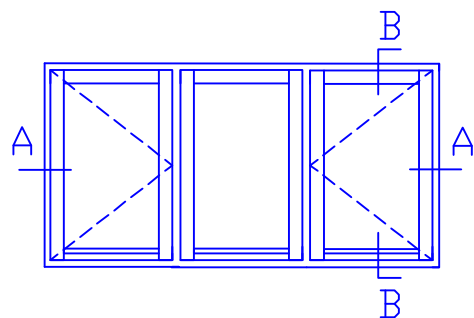
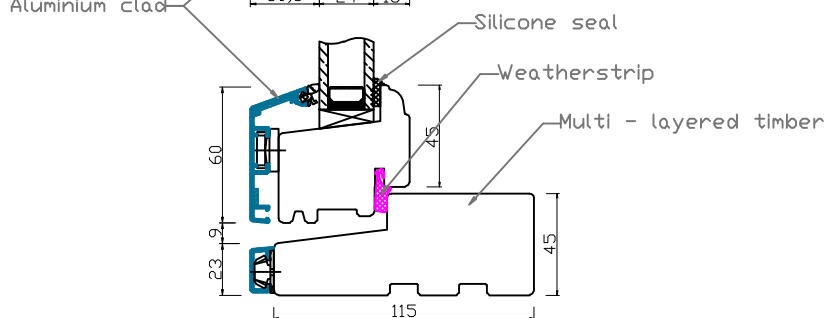
B-B



C-C



STANDARD FLUSH SILL



Natural Windows Ltd
 10 Park Parade, Gunnersbury Avenue, London W3 9BD
 www.naturalwindows.com info@naturalwindows.com

Object: CW5
 PROFILE ALUX
 ALUMINIUM CLAD
 SIDE HUNG OR SIDE SWING COMBINED
 WITH FIXED SASH