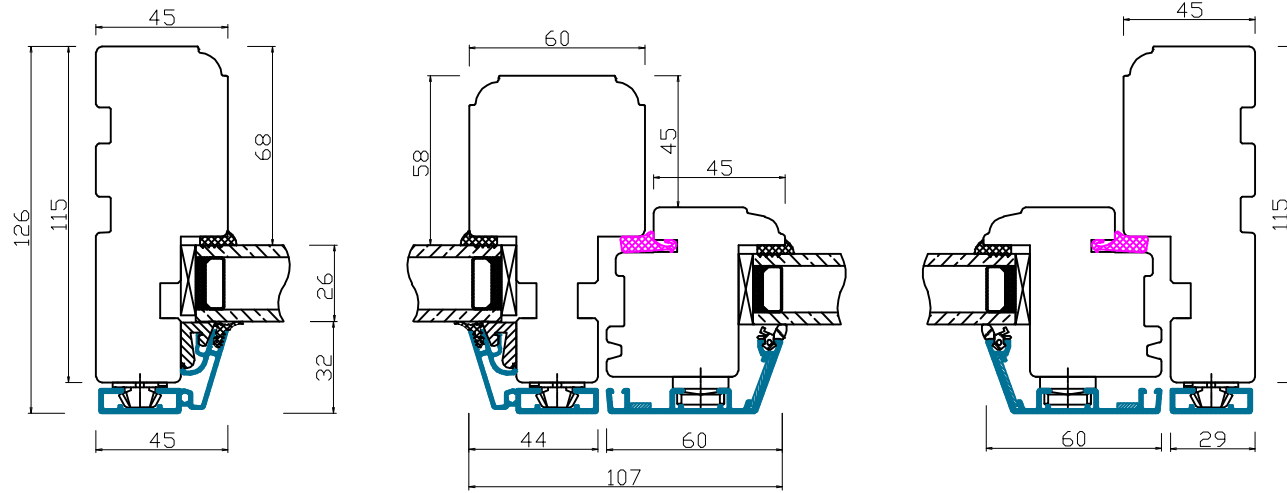
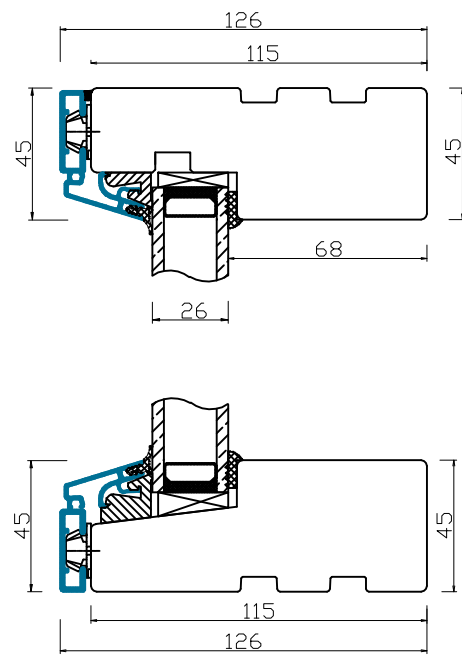


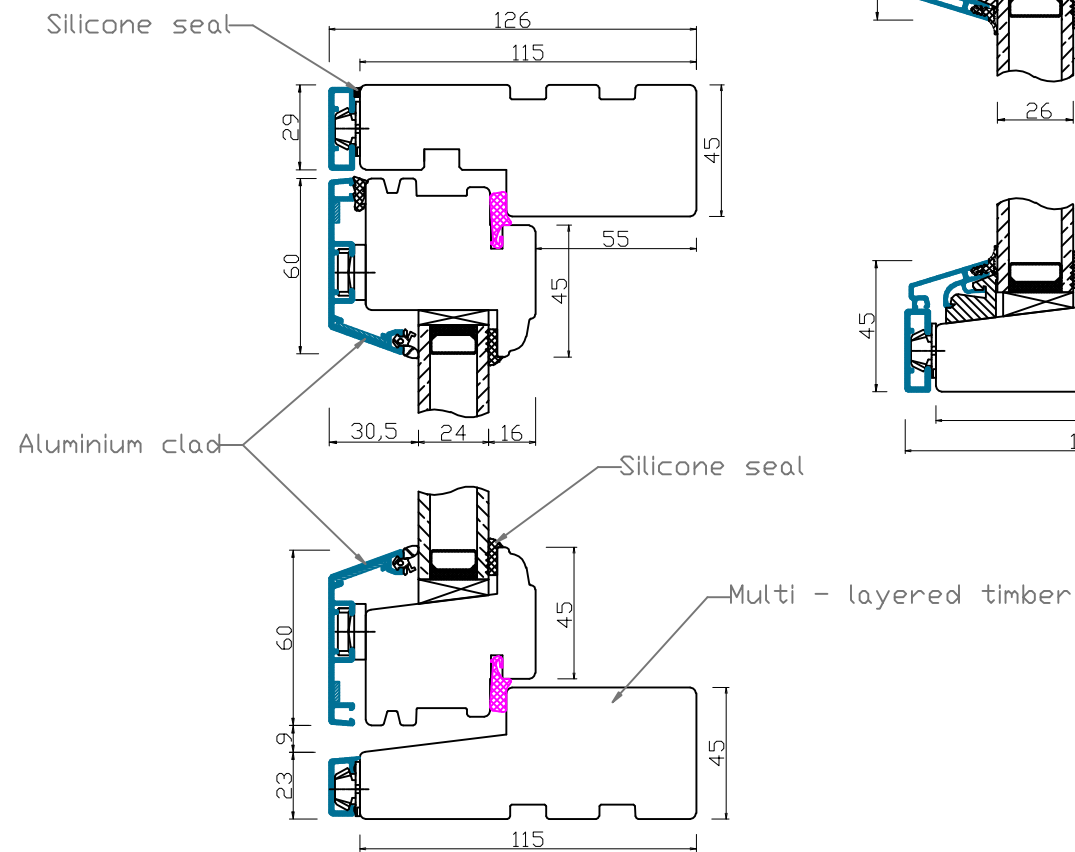
A-A



C-C

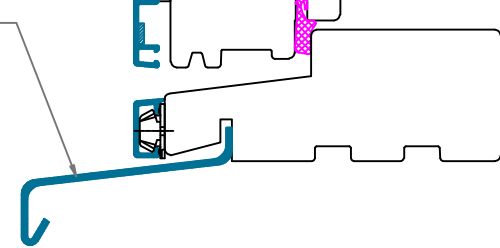


B-B

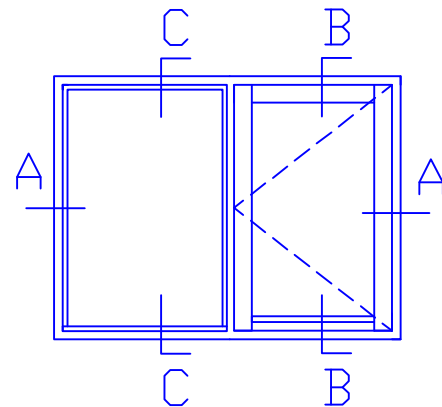


STANDARD FLUSH SILL

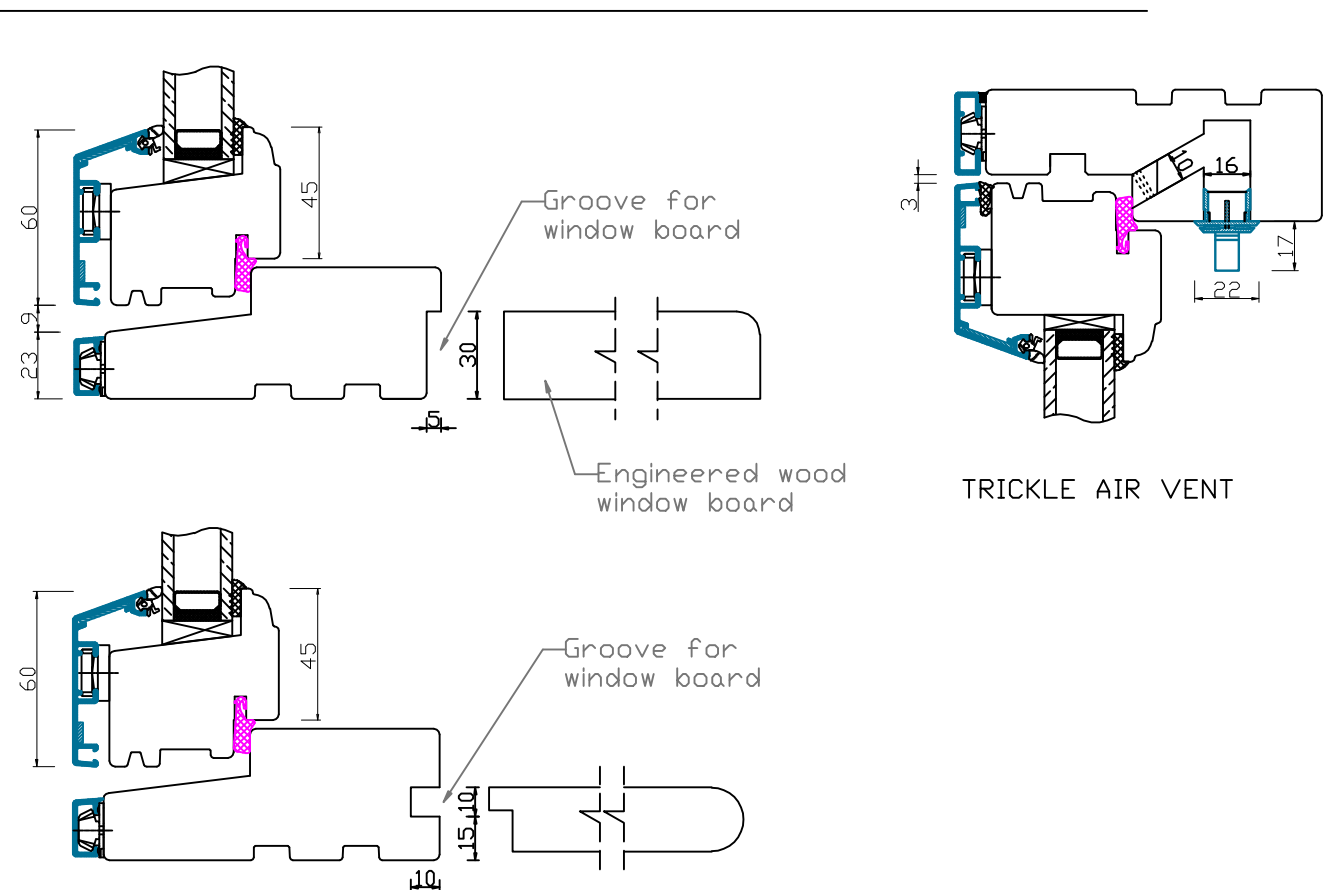
Aluminium sill



ALUMINIUM SILL



ADDITIONAL OPTIONS



Natural Windows Ltd
 10 Park Parade, Gunnersbury Avenue, London W3 9BD
 www.naturalwindows.com info@naturalwindows.com

Object:
**PROFILE ALUX
 ALUMINIUM CLAD
 SIDE HUNG OR SIDE SWING WINDOW**