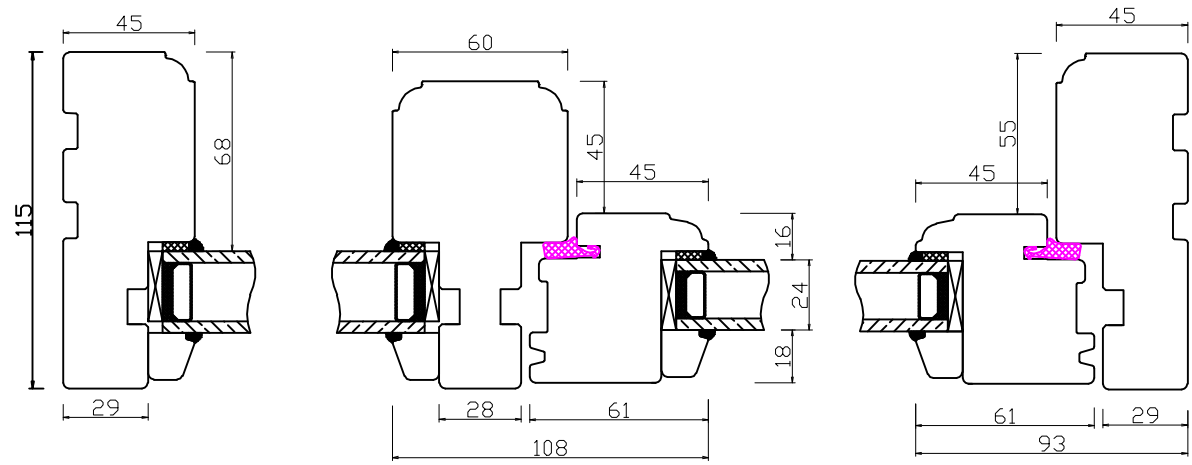
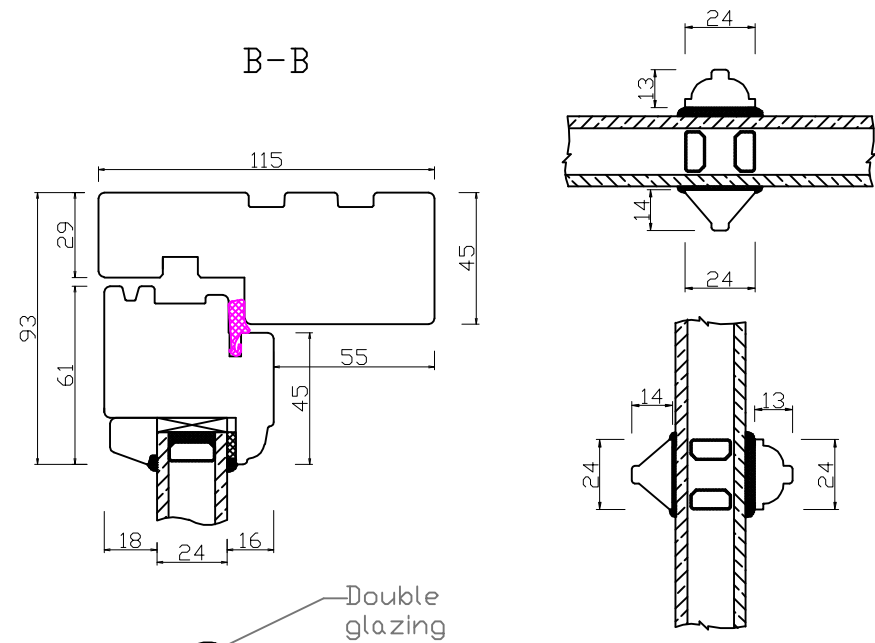


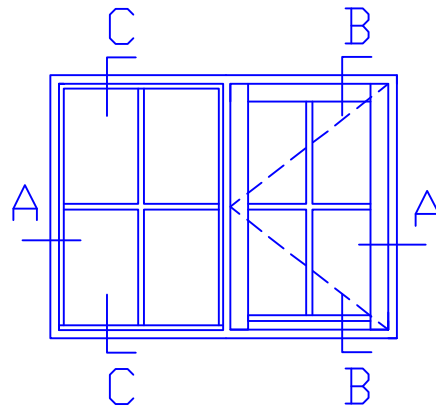
A-A



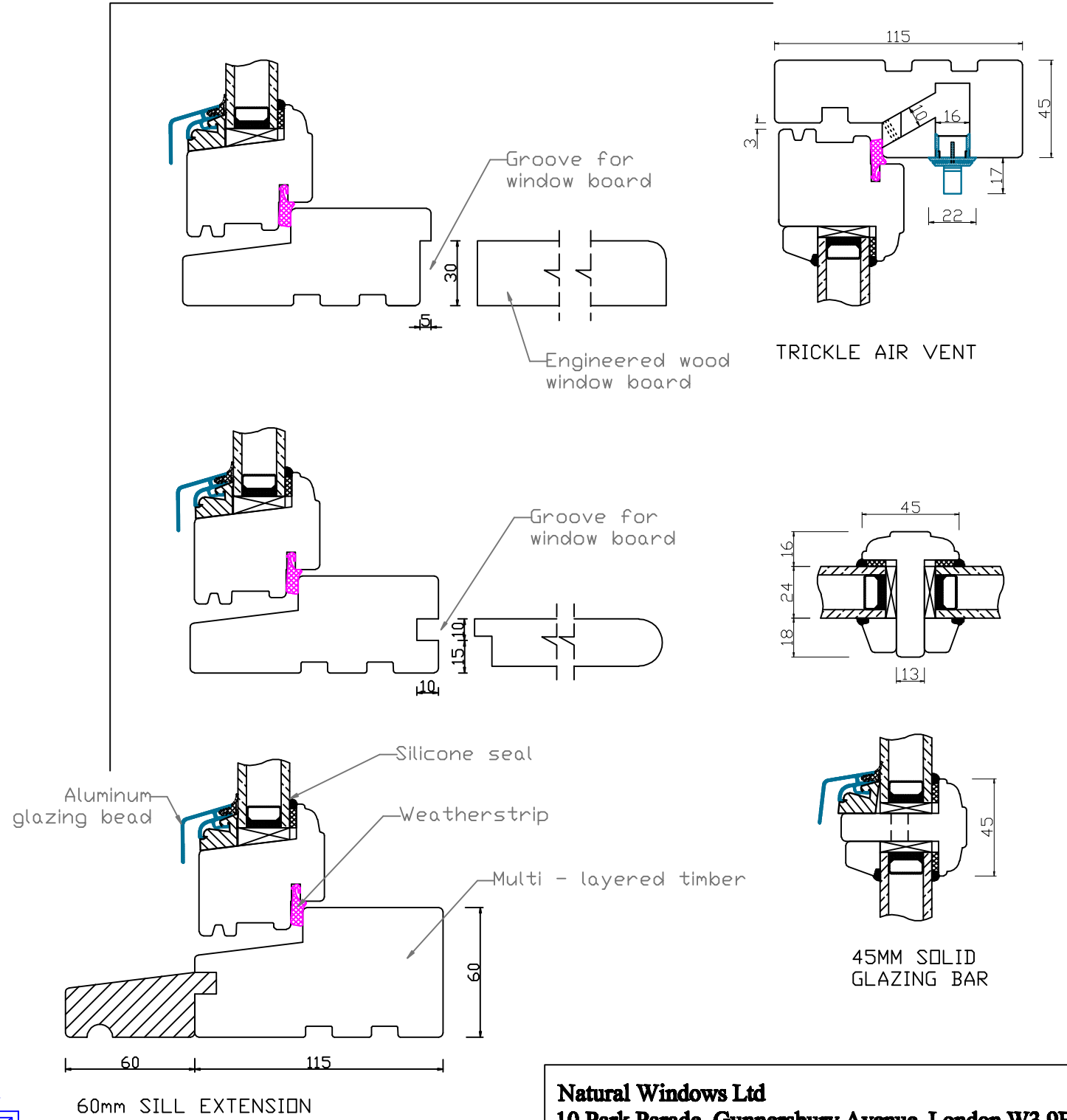
B-B



24MM GLAZING BAR WITH ALU SPACER



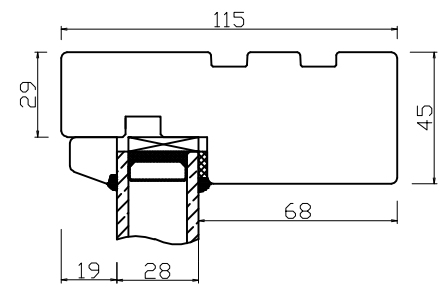
ADDITIONAL OPTIONS



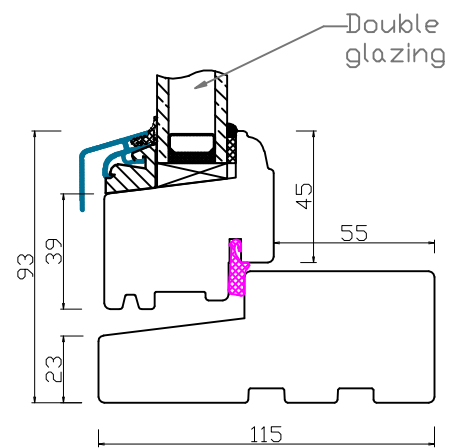
TRICKLE AIR VENT

45MM SOLID GLAZING BAR

C-C



STANDARD FLUSH SILL



Double glazing

Natural Windows Ltd  
 10 Park Parade, Gunnersbury Avenue, London W3 9BD  
[www.naturalwindows.com](http://www.naturalwindows.com) [info@naturalwindows.com](mailto:info@naturalwindows.com)

Object: **CW4  
 PROFILE D'LUX  
 SIDE HUNG OR SIDE SWING WINDOW  
 WITH 24mm GLAZING BAR**