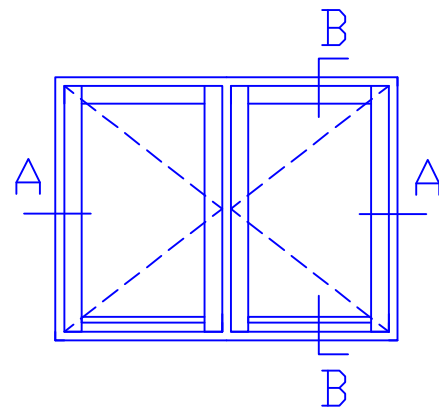
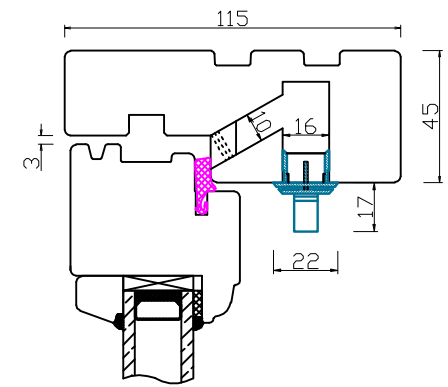
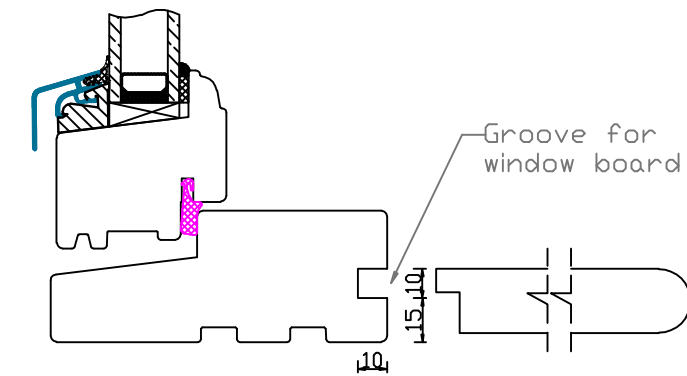
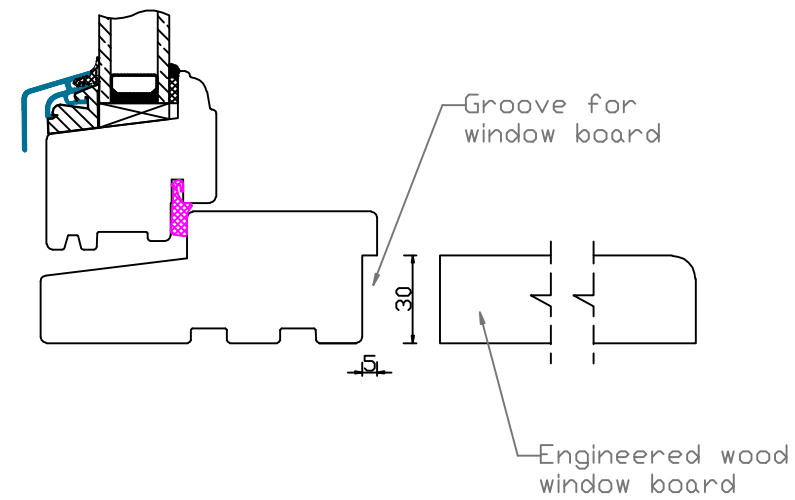


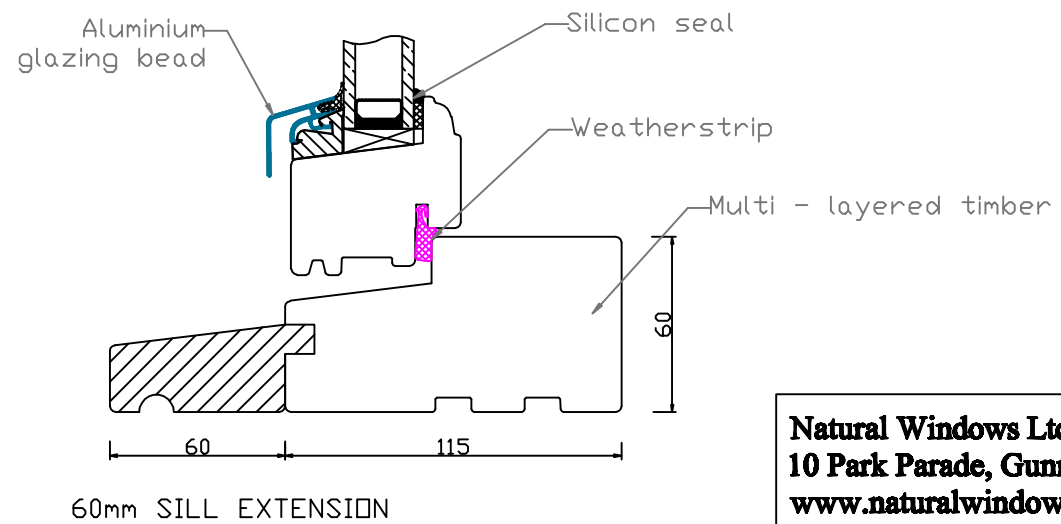
STANDARD FLUSH SILL



ADDITIONAL OPTIONS



TRICKLE AIR VENT



Natural Windows Ltd  
 10 Park Parade, Gunnersbury Avenue, London W3 9BD  
[www.naturalwindows.com](http://www.naturalwindows.com) [info@naturalwindows.com](mailto:info@naturalwindows.com)

Object:  
**CW3  
 PROFILE D'LUX  
 SIDE HUNG OR SIDE SWING WINDOW**