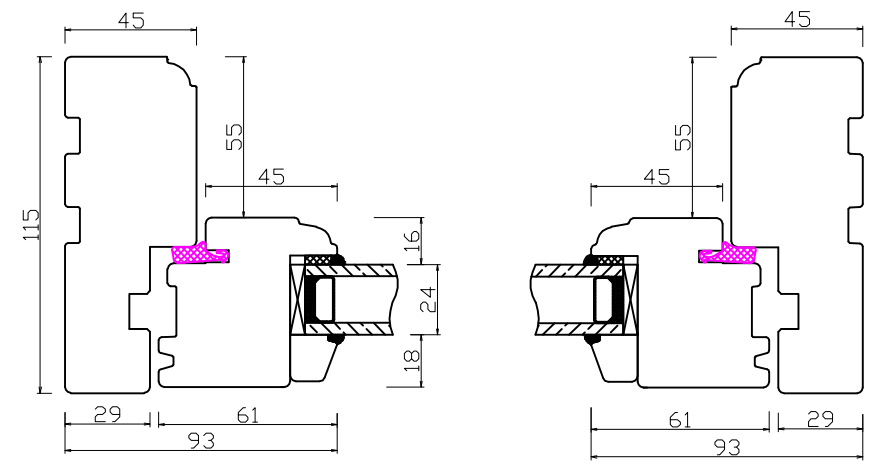
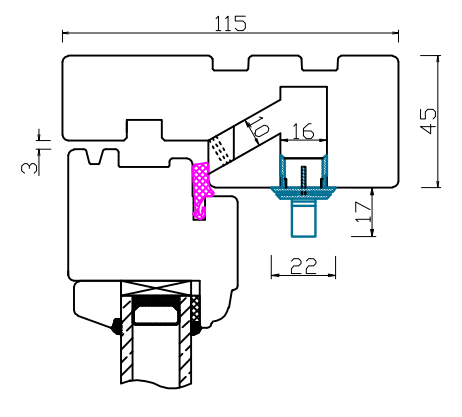
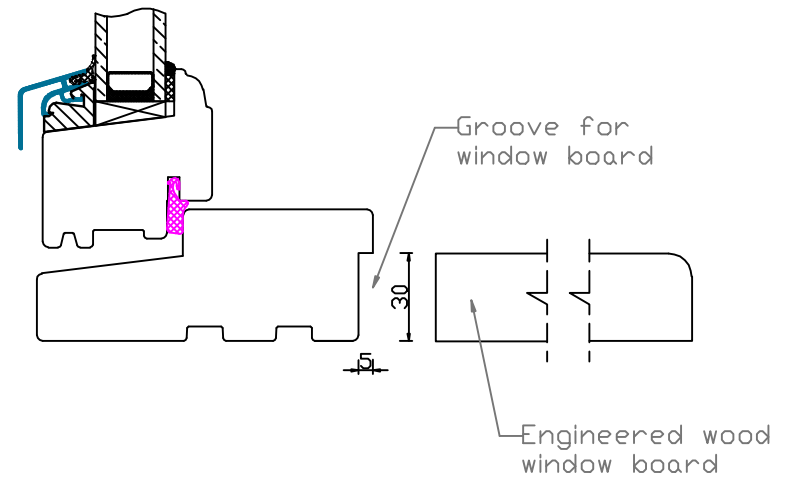


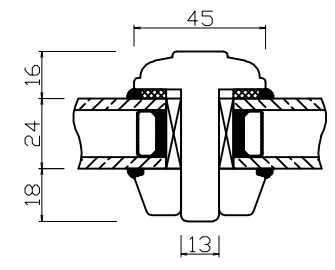
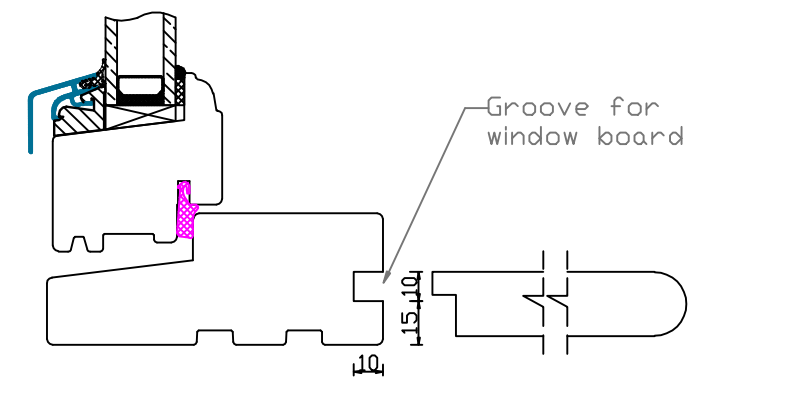
A-A



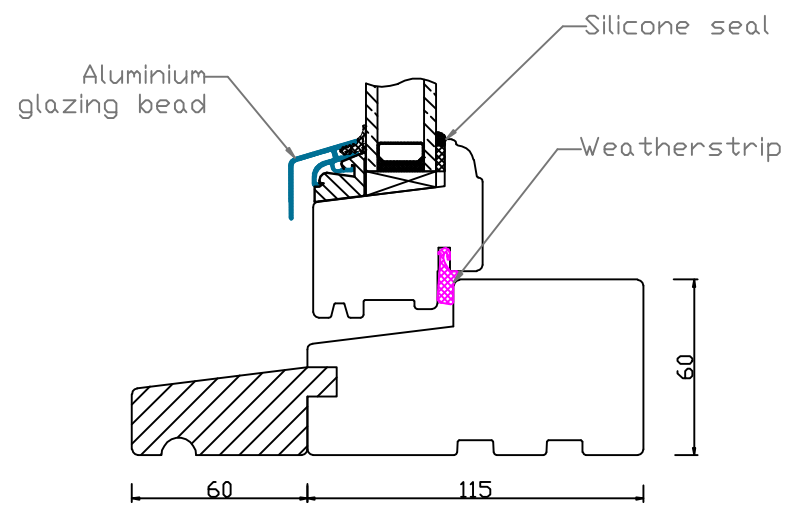
ADDITIONAL OPTIONS



TRICKLE AIR VENT

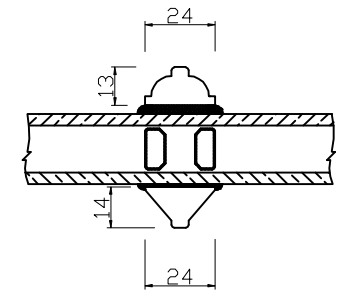
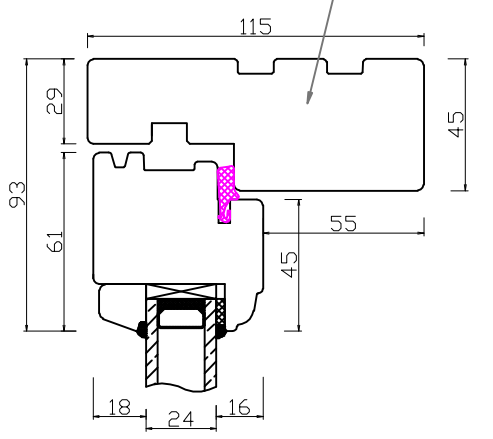


45MM SOLID GLAZING BAR

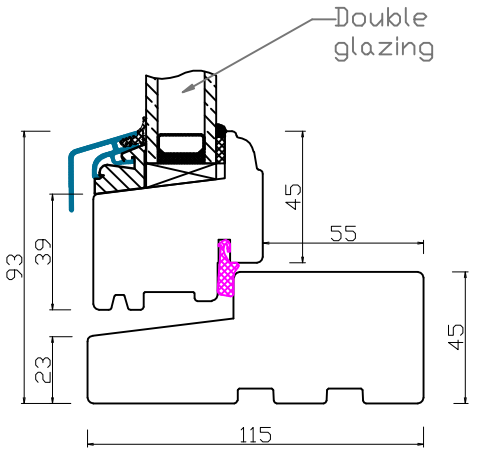


60mm SILL EXTENSION

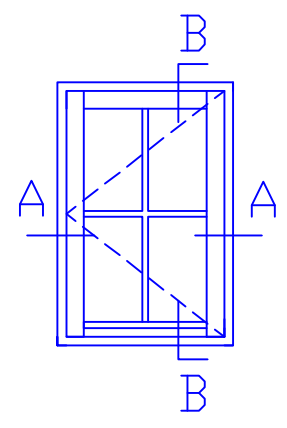
B-B Multi-layered timber



24MM GLAZING BAR WITH ALU SPACER



STANDARD FLUSH SILL



Natural Windows Ltd  
 10 Park Parade, Gunnersbury Avenue, London W3 9BD  
[www.naturalwindows.com](http://www.naturalwindows.com) [info@naturalwindows.com](mailto:info@naturalwindows.com)

Object: **CW2  
 PROFILE D'LUX  
 SIDE HUNG OR SIDE SWING WINDOW  
 WITH 24mm GLAZING BAR**