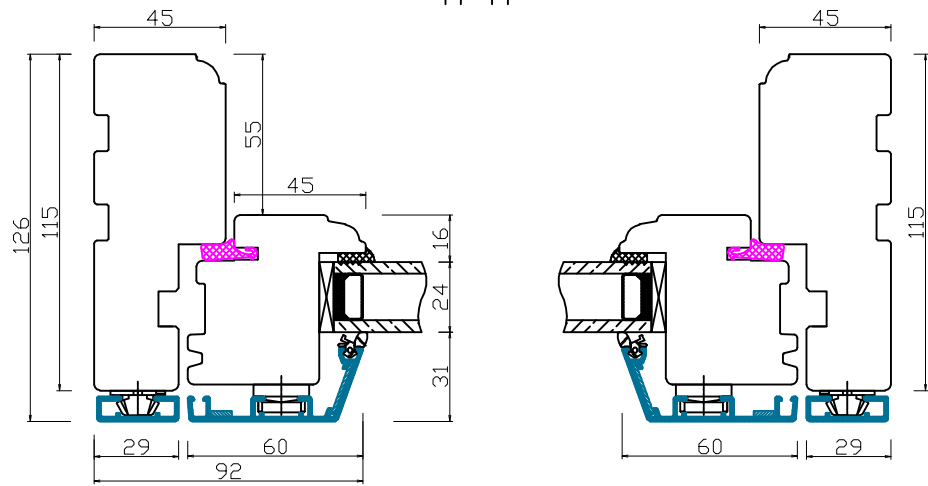
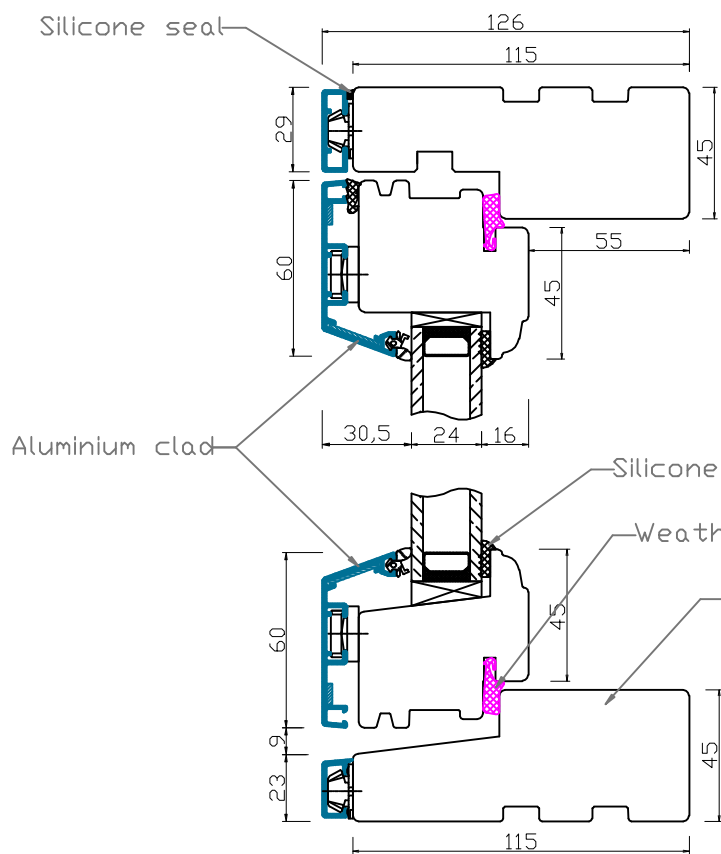


ADDITIONAL OPTIONS

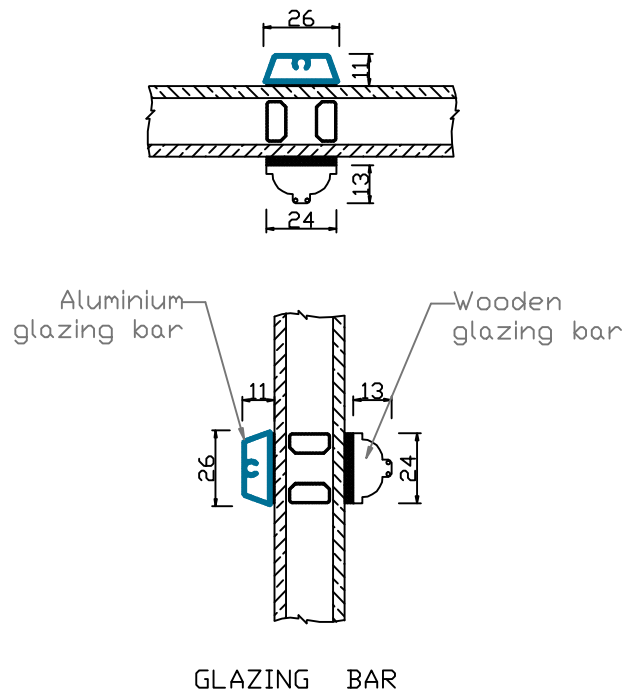
A-A



B-B

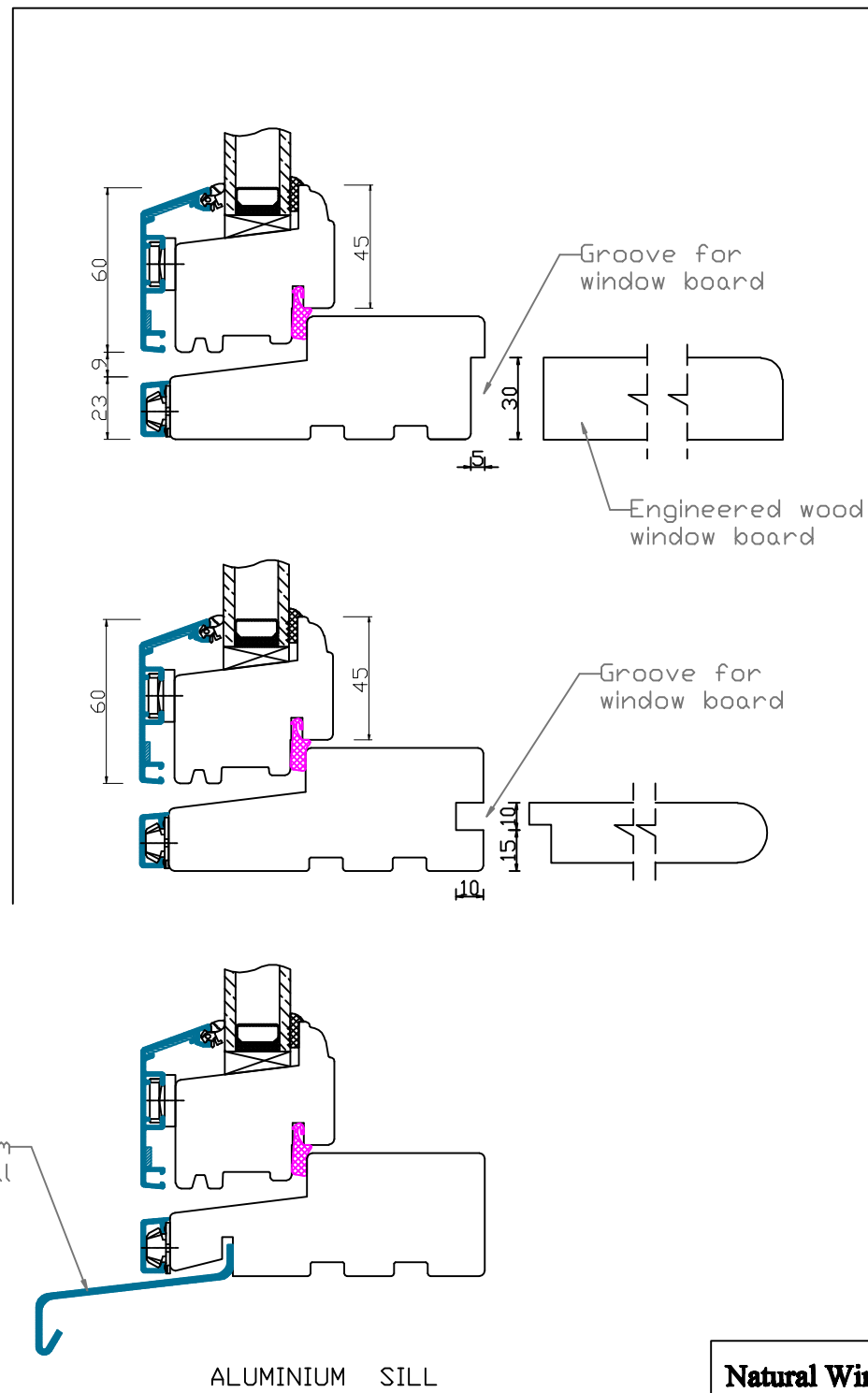


STANDARD FLUSH SILL

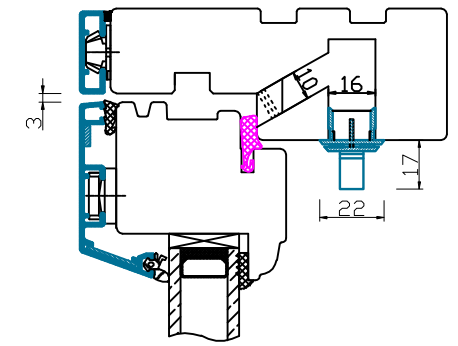


GLAZING BAR

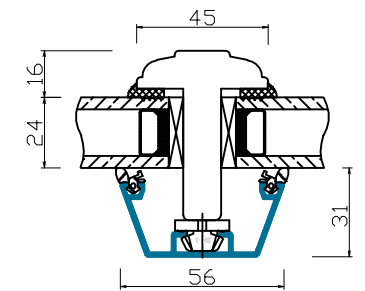
Aluminium sill



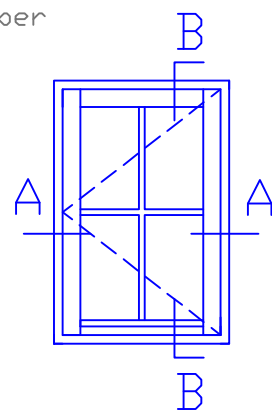
ALUMINIUM SILL



TRICKLE AIR VENT



SOLID GLAZING BAR



Natural Windows Ltd
 10 Park Parade, Gunnersbury Avenue, London W3 9BD
www.naturalwindows.com info@naturalwindows.com

Object:
**CW2
 PROFILE ALUX
 ALUMINIUM CLAD
 SIDE HUNG OR SIDE SWING WINDOW
 WITH GLAZING BAR**