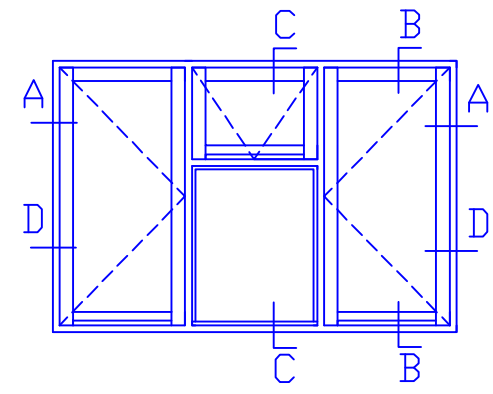
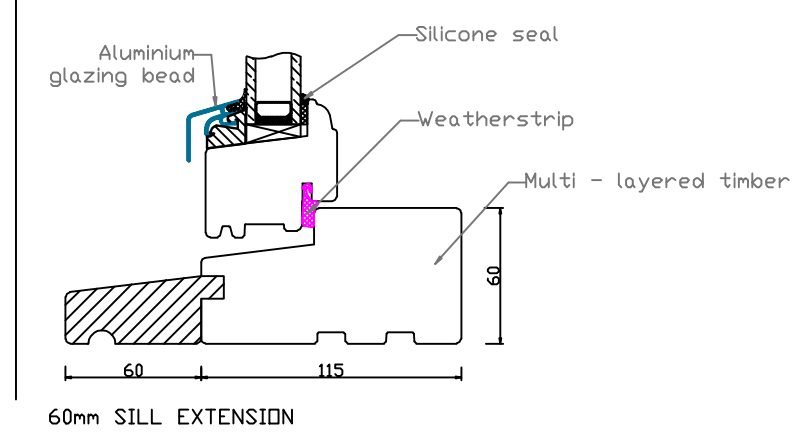
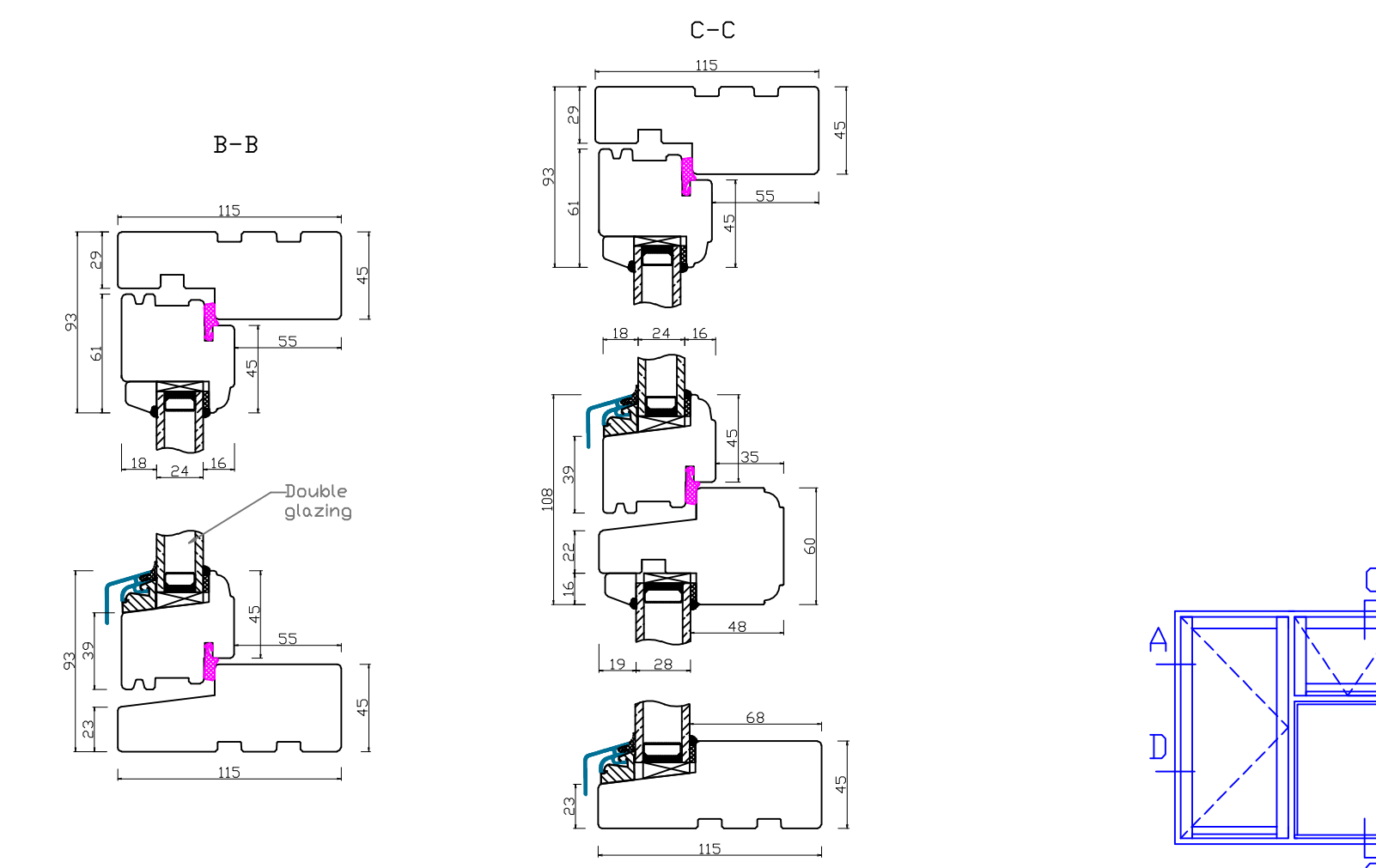
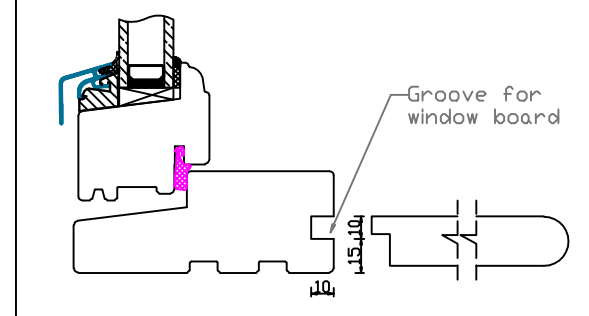
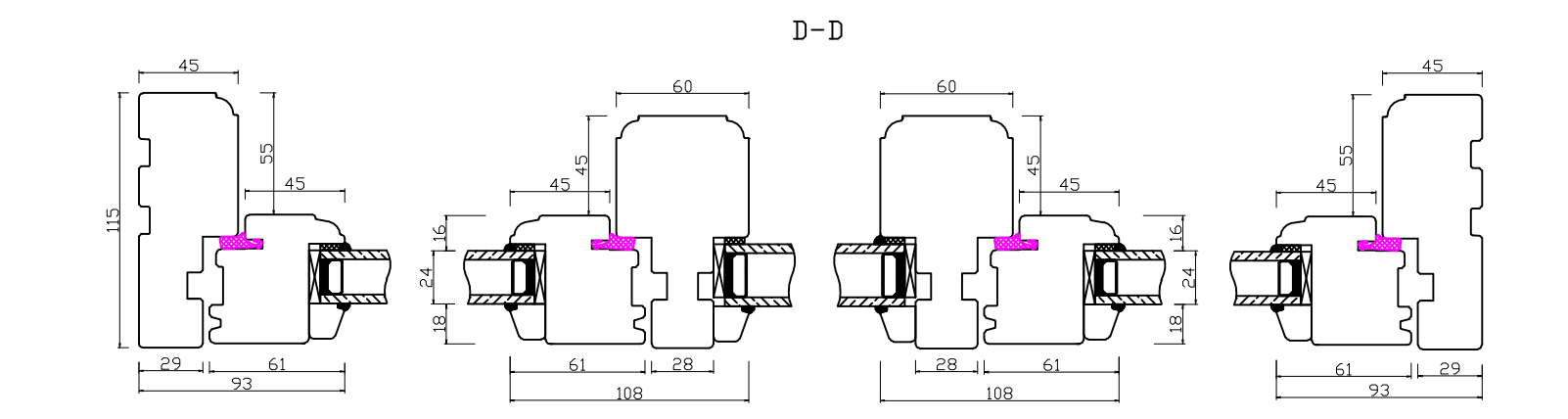
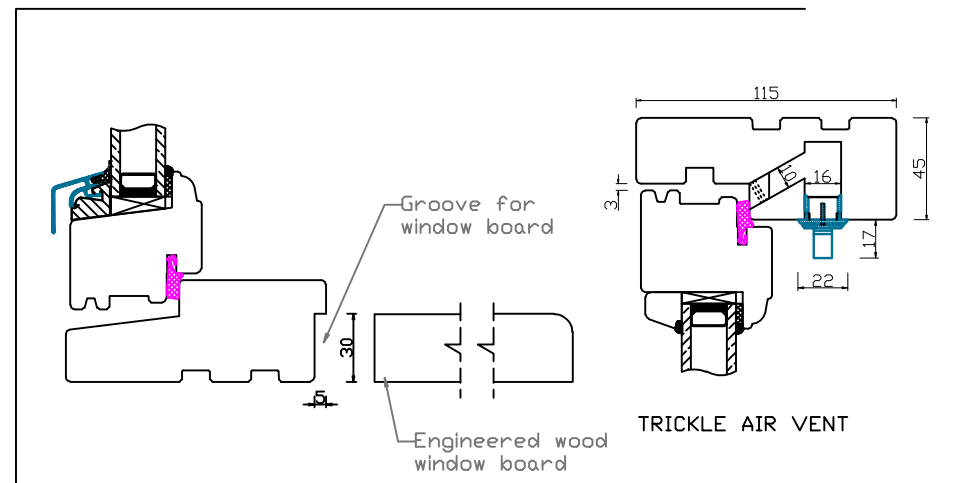


ADDITIONAL OPTIONS



Natural Windows Ltd  
 10 Park Parade, Gunnersbury Avenue, London W3 9BD  
 www.naturalwindows.com info@naturalwindows.com

Object: CW11  
 PROFILE DLUX  
 SIDE HUNG OR SIDE SWING COMBINED WITH  
 TOP SWING AND DIRECT GLAZE WINDOW