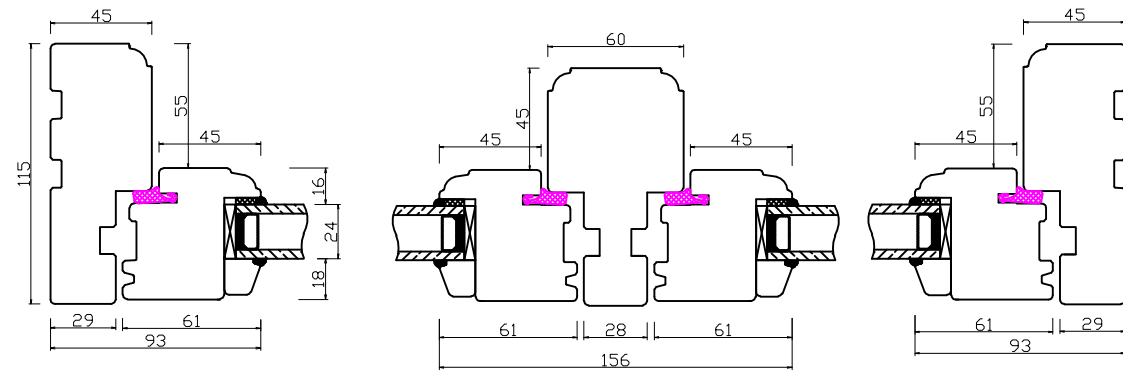
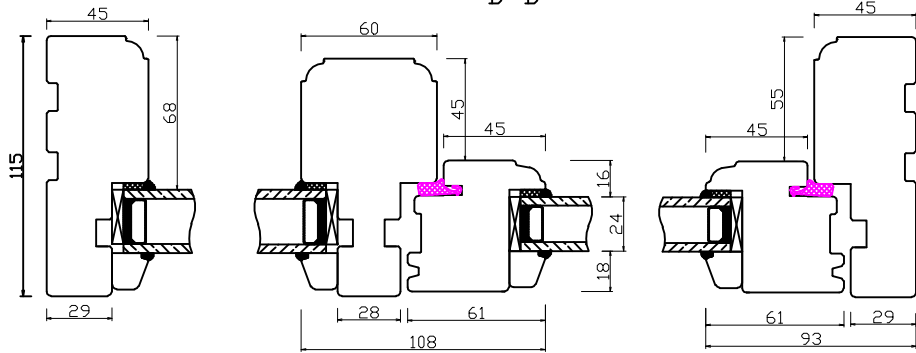


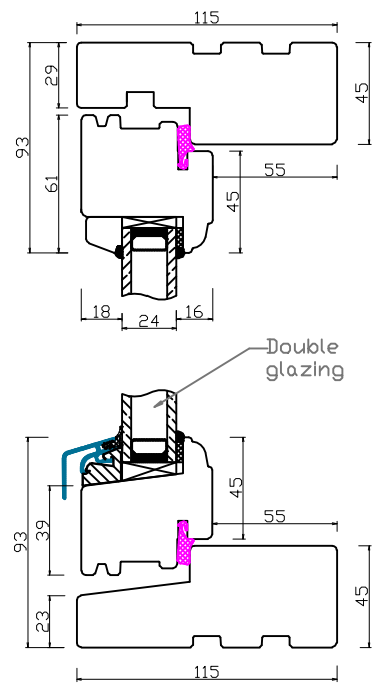
A-A



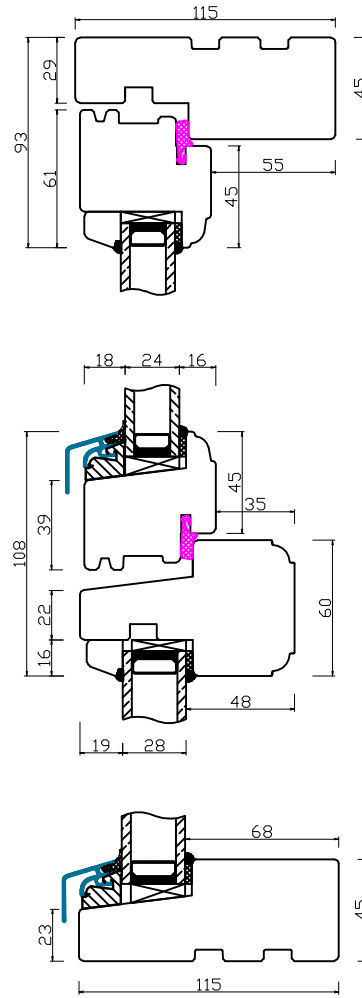
D-D



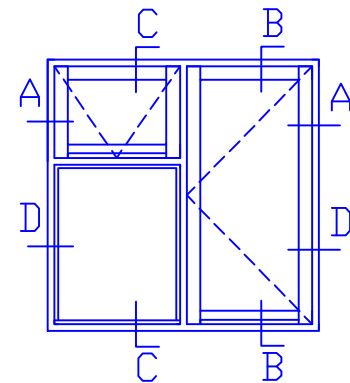
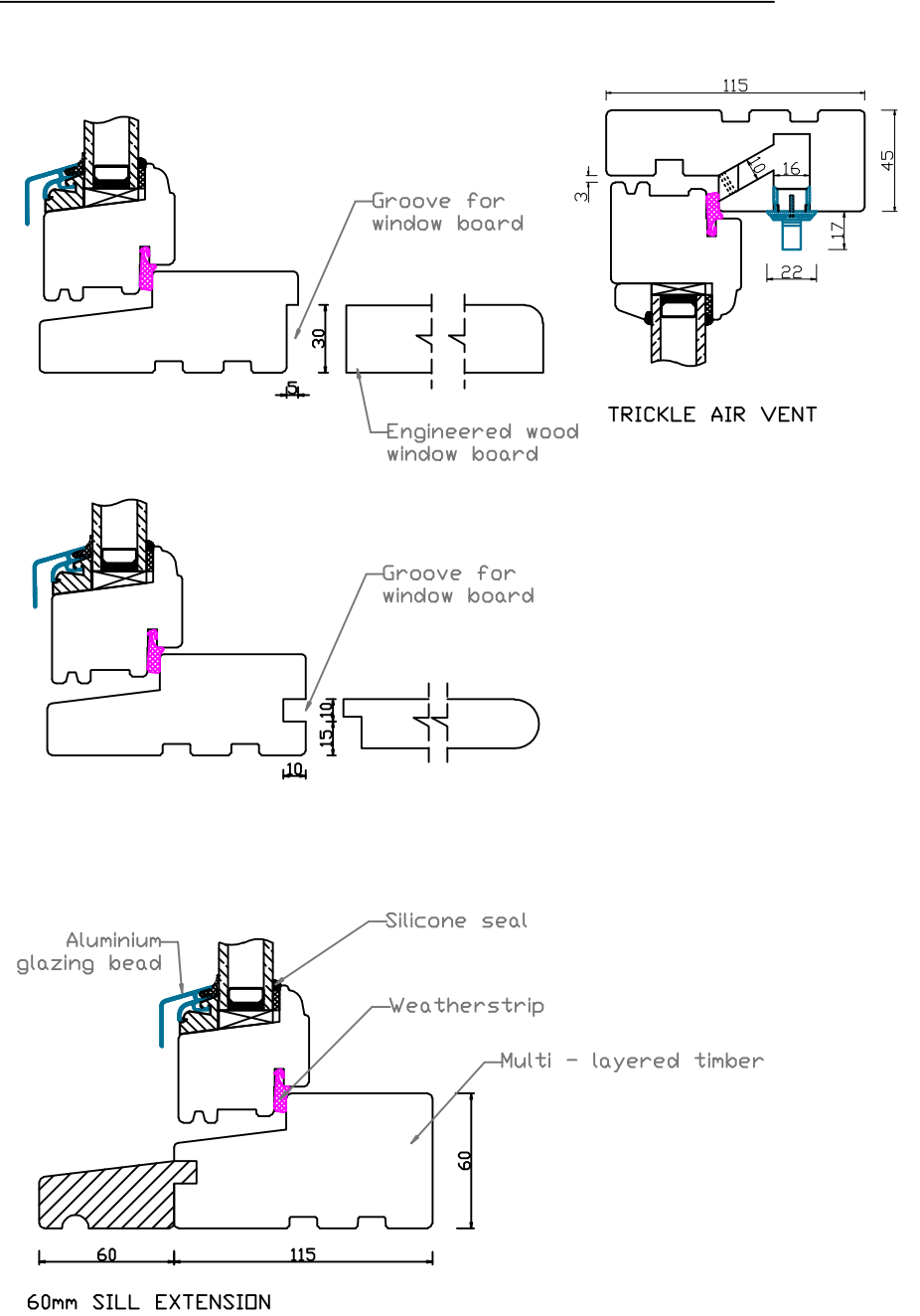
B-B



C-C



ADDITIONAL OPTIONS



Natural Windows Ltd
 10 Park Parade, Gunnersbury Avenue, London W3 9BD
 www.naturalwindows.com info@naturalwindows.com

Object: **CW10
 PROFILE DLUX
 SIDE HUNG OR SIDE SWING COMBINED WITH
 TOP SWING AND DIRECT GLAZE WINDOW**