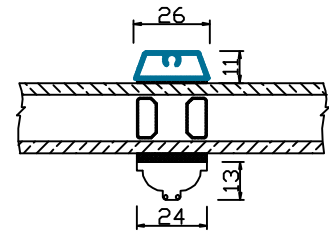
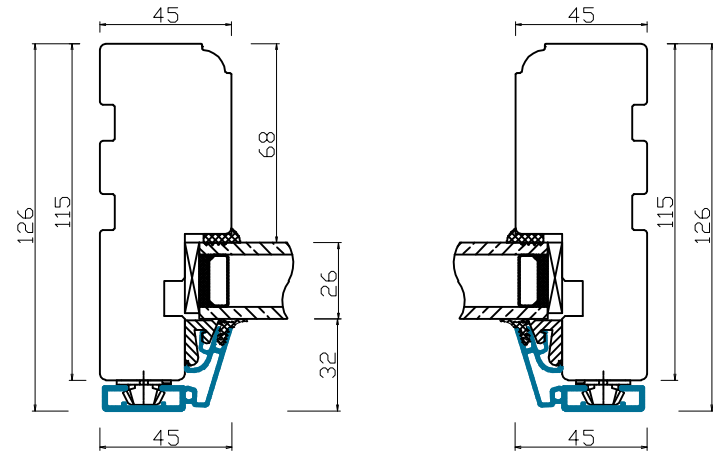
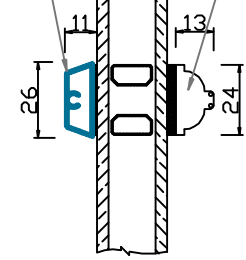


A-A

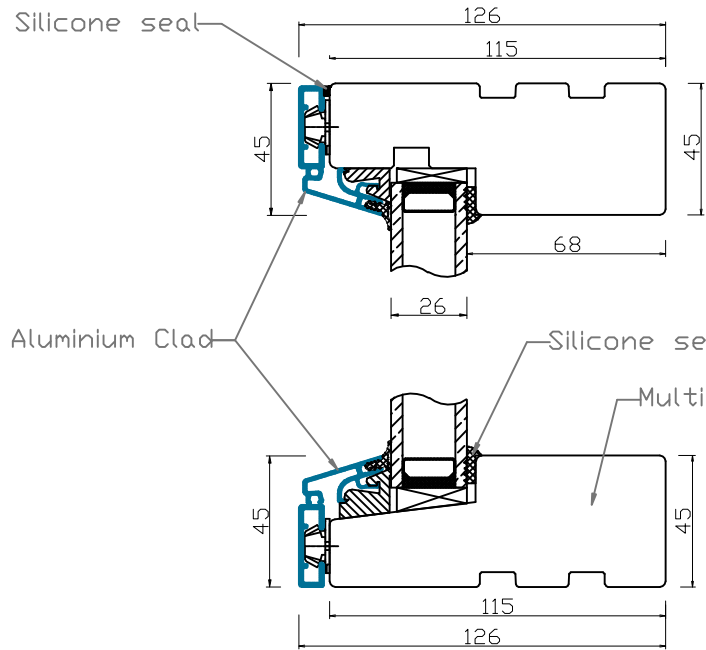


Aluminium glazing bar      Wooden glazing bar



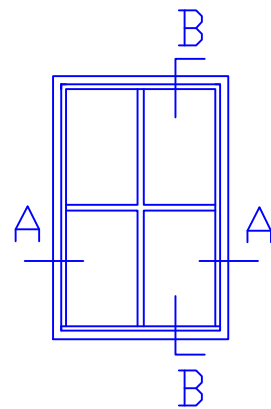
GLAZING BAR

B-B

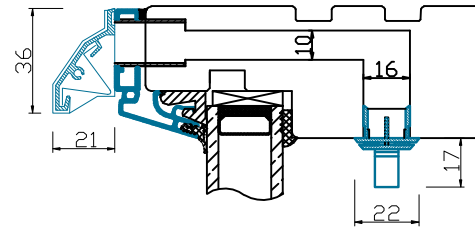


STANDARD FLUSH SILL

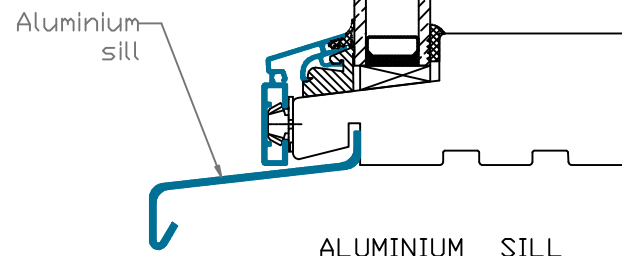
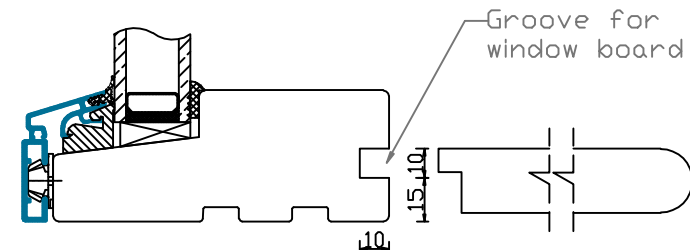
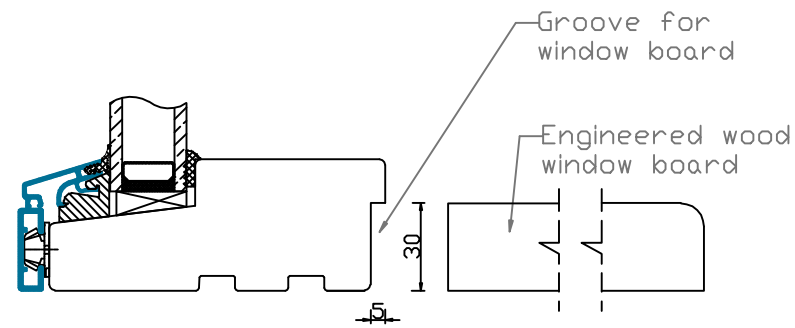
Silicone seal  
Multi-layered timber



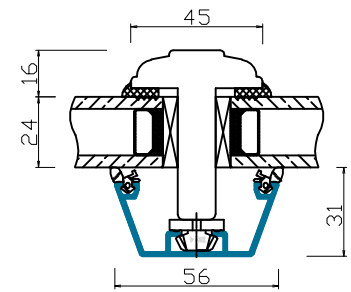
ADDITIONAL OPTIONS



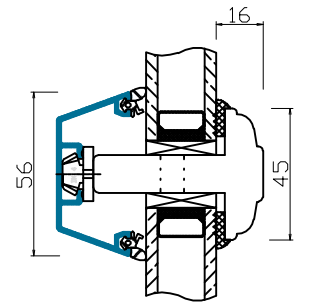
TRICKLE AIR VENT



ALUMINIUM SILL



SOLID GLAZING BAR



**Natural Windows Ltd**  
**10 Park Parade, Gunnersbury Avenue, London W3 9BD**  
**www.naturalwindows.com    info@naturalwindows.com**

**Object:**  
**CW1**  
**PROFILE ALUX**  
**ALUMINIUM CLAD**  
**DIRECT GLAZE WINDOW**  
**WITH GLAZING BAR**