

RelaX²





Durable, modern looking
and comfortable



Fleet management...

- Durable and reliable aluminium design
- Common and interchangeable parts and accessories across entire X Family (UniX, BasiX, RubiX, HeliX and RelaX²)

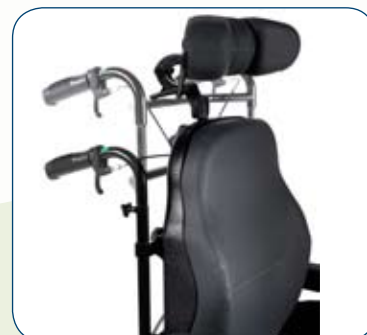
Adjustable seat height, seat depth, back height, length adjustable arm pads and infinite recline and tilt. The RelaX² can be tailored to your needs ensuring quick and easy assessment for unlimited comfort.



Infinitely reclining backrest for optimum positioning. Recline from 0° - 35°. Seat tilt from -3° - 25°.



Infinitely adjustable seat depth to accommodate developing needs. Adjustable from 42 - 50cm



Height adjustable push handle: easy to adjust for increased carer comfort. Makes it very easy to handle.

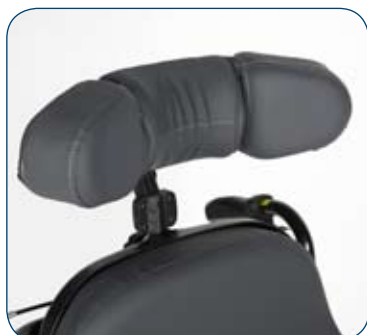
Comfortable...

Breezy RelaX² maintains correct posture and ensures even pressure distribution. With an anatomically shaped back with lateral support for safe and comfortable seating, even with reduced upper body control. The anatomically shaped seat with slight abduction and lateral support provides comfortable seating for long periods.

The abduction and side support keep legs in a good position to prevent sliding forward.



Slide on tray with elbow pads (option)



3 section adjustable and removable headrest with lateral adjustment (option)



Multi adjustable trunk support (option). Easy to handle

Configurable...

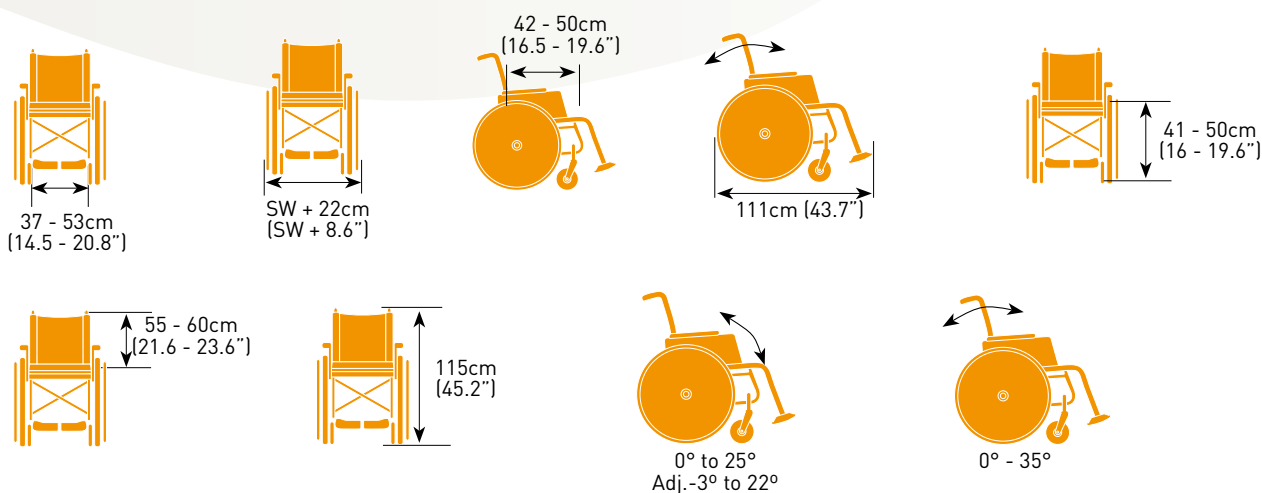
- 24" solid wheels
- 16" rear wheel (only with drum brake)
- Drum brake
- Slide on tray with elbow pads
- Abduction block
- Multi adjustable trunk support
- 3 section headrest
- Positioning belt
- Trans-tibial pad
- Space out kit to widen armrests
- Shaped armrest



RelaX²

Durable, modern looking and comfortable

RelaX²:



Technical data sheet

Frame colour:	silver	Weight of heaviest part:	18kg
Upholstery colour:	dark grey	Max safe slope (with anti-tips)	10°
Approved user weight:	130kg [20 stone]	Max turning radius:	96cm
Max weight:	from 34kg	Transit tested to ISO 7176 Part 19 and passed	Yes

For further information on the full specification, options and accessories, please refer to the order form.

All information is subject to change without notification. Please consult Sunrise Medical with any queries you may have.

If you are visually impaired, this document can be viewed in PDF format at www.SunriseMedical.com or alternatively is available on request in large text.



Sunrise Medical Limited

High Street, Wollaston
Stourbridge
West Midlands
DY8 4PS

Tel: +44 (0) 1384 44 66 66

Fax: +44 (0) 1384 44 66 44

www.SunriseMedical.com