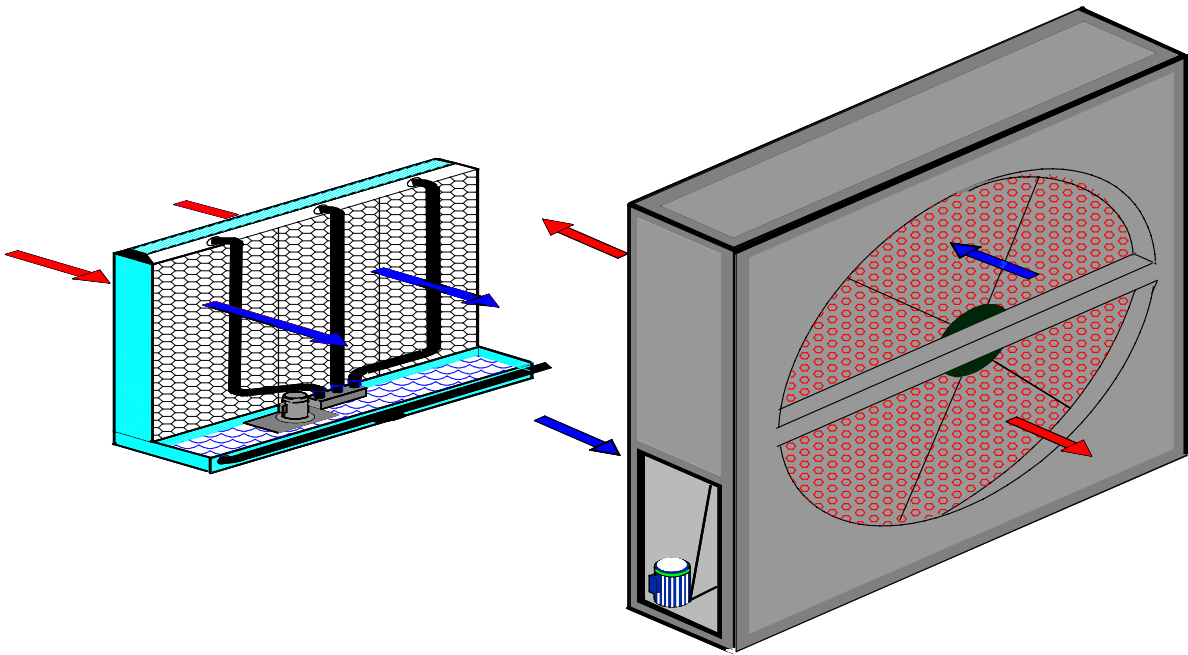




A C P AIRCONDITIONING

ECO-THERM



COOLING

WITHOUT USING REFRIGERANTS

HEATING

UTILISING UP TO 85% MAX OF WASTE HEAT ENERGY

CABINET SPECIFICATION.

FRAMEWORK:

Each AHU or AHU section is fabricated with a framework of 50mm extruded aluminium boxed section with die cast aluminium or nylon corner joints and accessories.

OPTIONS: Anodised finish, nylon corners and accessories, extensions for valves, bulkhead lights wired to outside switch, enclosures for control panel, enclosure with internal walkway (on larger units).

PANELS:

The frame is clad with 25mm thick double skinned insulated panels, which fit into the rebated edges of the corner or intermediate section, to form a continuous flush surface.

Minimum metal thickness is 0.9mm and outer skin is plasticised steel sheet. Inner skin is self-finish galvanised steel sheet. Standard colour finishes are available.

All panels are sealed against framework with neoprene rubber gasket. On 50mm framing, a tubular rubber gasket can be mechanically fitted to a preformed groove in the section for extra quality seal.

OPTIONS: 50mm panel thickness, increased metal skin thickness, range of alternative colour finishes, range of acoustic constructions - high density board, perforated inner skin, septum plates, thicker panel skins, etc.

ACCESS PANELS: Panels secured in place by tool operated turn locks. (A single half turn latches the panel and then applies pre-set compressive pull-up)
Complete with pull-off grips or grab handles (depending on panel size).

OPTIONS: Lift off doors, hinged doors, tool operated lockable handle, key operated lockable handle, double handle with internal release, inspection windows, electrical interlock switches fitted.

INSULATION:

25mm thick mineral wool slab, minimum density 45 Kg/m³

EXTRAS: High density acoustic infill.

BASES:

Each AHU (or AHU section) is normally fitted underneath with a base frame. After fabrication the base is cleaned, primed and finished in black hammerite paint or anodised on aluminium bases.

EXTERNAL AHU: Fitted with pitched weather roof overhung all round as standard. All fixed panels mastic sealed in place and additional gaskets used on removable panels.

PRESENTED BY



A C P AIRCONDITIONING

Walter House, Star Road
Partridge Green, Horsham
West Sussex, RH13 8RA

TEL 01403 713600 FAX 01403 713620

e-mail: acp.ac@btinternet.com