

CD4 – 4 Way Blow Ceiling Diffusers

Ideally suited to supply applications, four way blow ceiling diffusers have been a consistently popular product for many years. Not least thanks to their excellent diffusion characteristics, paired up with an aesthetically pleasing geometric design. All ceiling diffusers come as standard with a fully removable core.

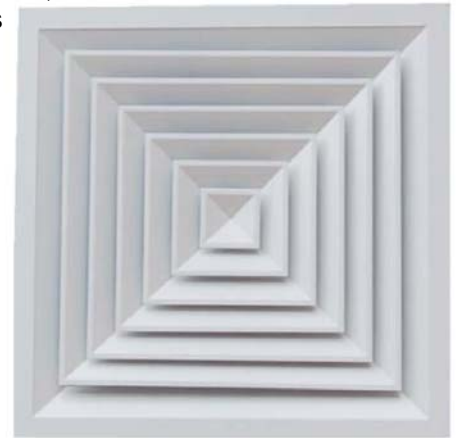
1, 2 & 3 way blow ceiling diffusers are also available where required

Construction: Extruded aluminium frame and core.

Welded and pressed corners.

Removable core utilising spring clips and safety cord as standard

Options & Accessories: M & M Access Ltd can supply a standard ceiling diffuser or a customised grille made to your exact specifications.



Opposed blade damper – Operated via key/screwdriver, access possible by removing core.

Lever operated OBDs can also be fitted to ceiling diffusers, access is also possible by removing the core.

Blanking plate – Blanking plates enable a portion or the entire grille to be disabled. Useful where a CD4 is being positioned next to a wall or where the diffuser is not going to be connected to ducting and to prevent line of sight to the ceiling void above. Our selection of one, two and three way blows ceiling diffusers may be of more interest in the former situation.

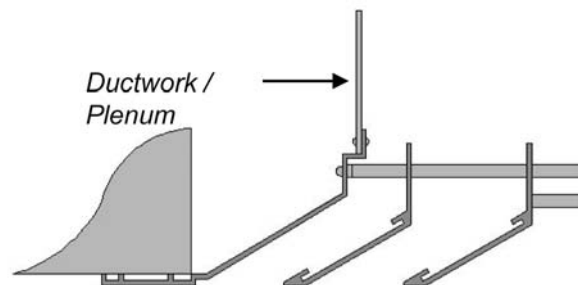
Specialised tiles – M & M Access Ltd can cater for situations where specific tile formats are needed. Please get in touch with our sales team for more information on CD4's fitted into tile layouts such as Burgess clip in systems



Fixing Instructions

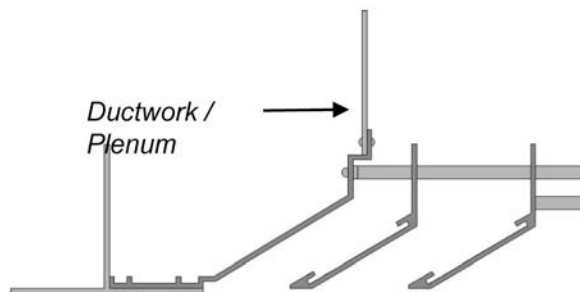
Surface mounted

A surface mounted CD2 must be put into position and then fixed to supporting ductwork or plenum, using pop rivets or another suitable fixing method. This is easiest when the core is removed allowing access through the face of the grille



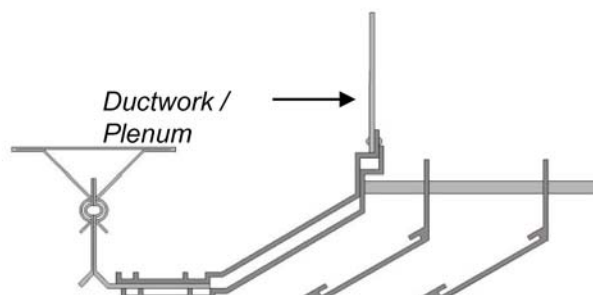
Lay in

Simply lay the diffuser into the pre-prepared T bar ceiling grid and then through the face, connect the diffuser to the ductwork.



Burgess / other tile system

The diffuser will be fitted into the tile before despatch. Installation then involves simply clipping the burgess tile into the pre-prepared ceiling grid.



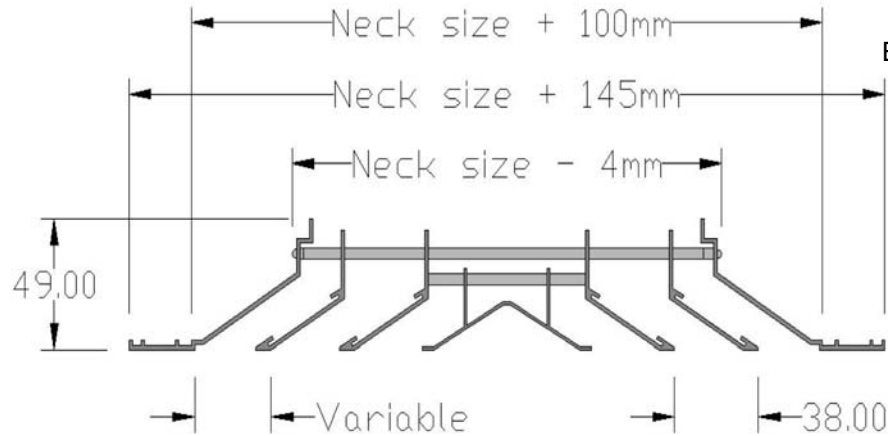
Technical Information

Free area -Approximately 50%

CD4 Mass / M2 -8.5 KG

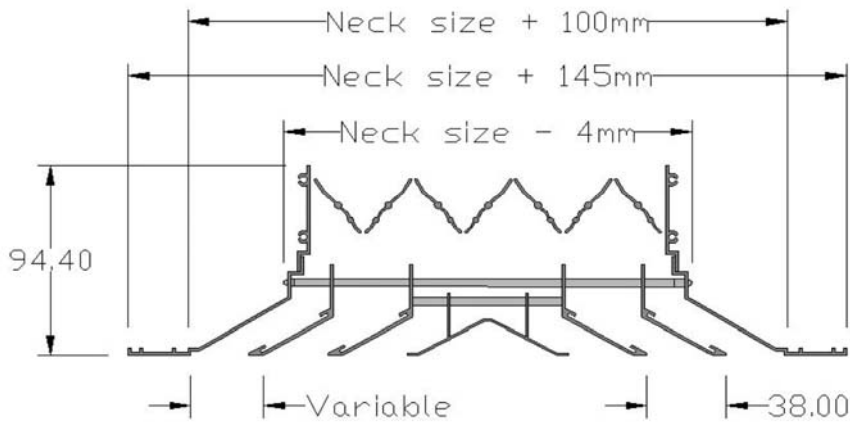
CD4/D Mass / M2 -16 KG

• ___ x ___ - CD4



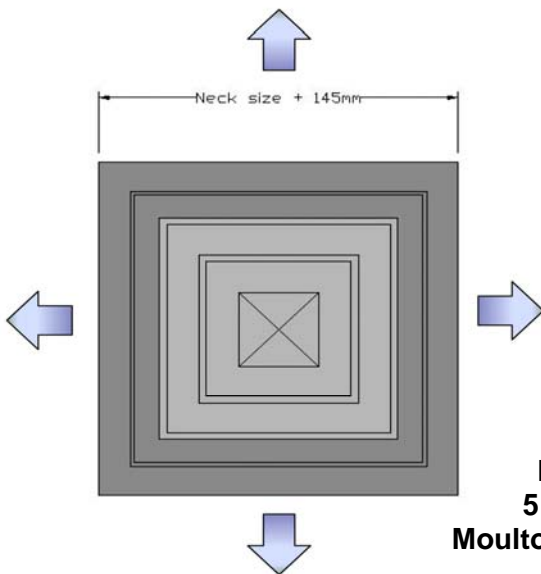
Example: A 200 x 200 CD4 would refer to neck size. Therefore the overall size would be 345 x 345, and nominal size would be 300 x 300.

• ___ x ___ - CD4 - D



Spacing between frame and outermost blade is variable based on the size of diffuser selected. Never will this gap be large enough to enable line of sight into ductwork / ceiling void from directly below the diffuser.

• ___ x ___ - CD4 / ___ x ___ - CD4 - D



M & M Access Ltd
5 Quarry Park Close
Moulton Park Industrial Estate
Northampton
NN3 6QB

Tel: 01604 644944 Fax: 01604 644899

Email: sales@m-maccess.co.uk

Web: www.m-maccess.co.uk / www.access-panels.com