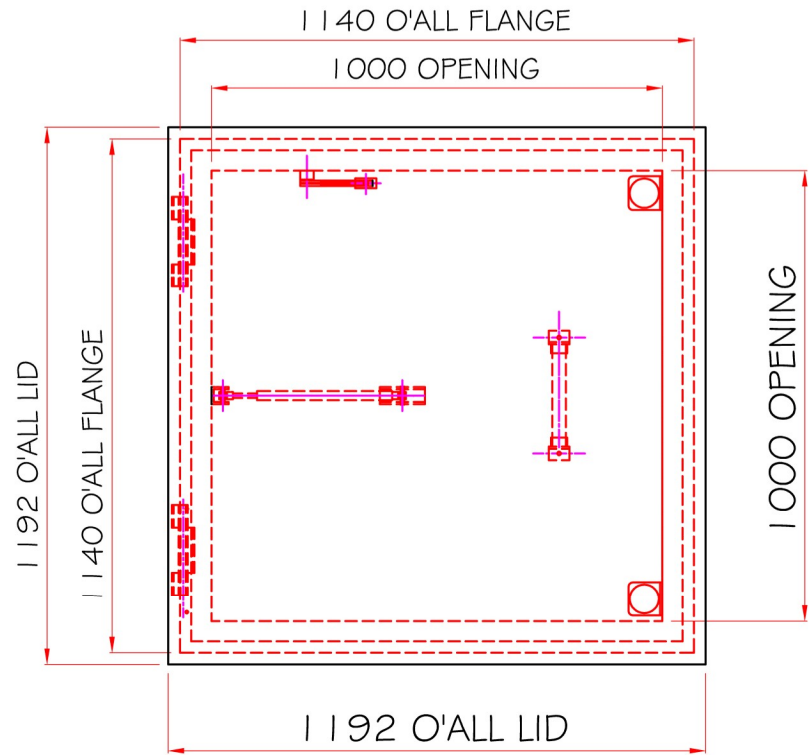
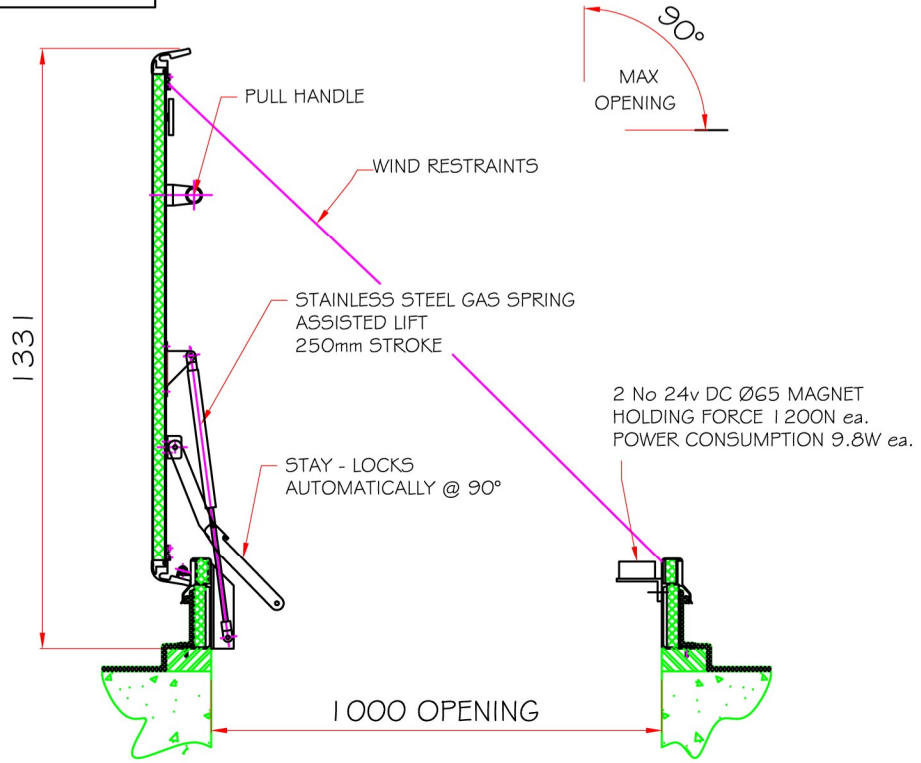


CONFIDENTIAL



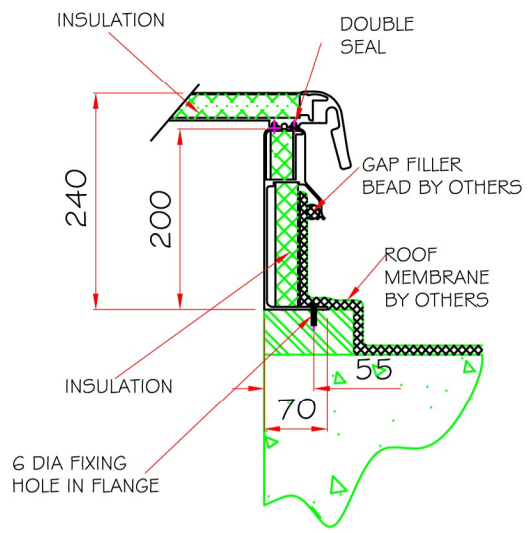
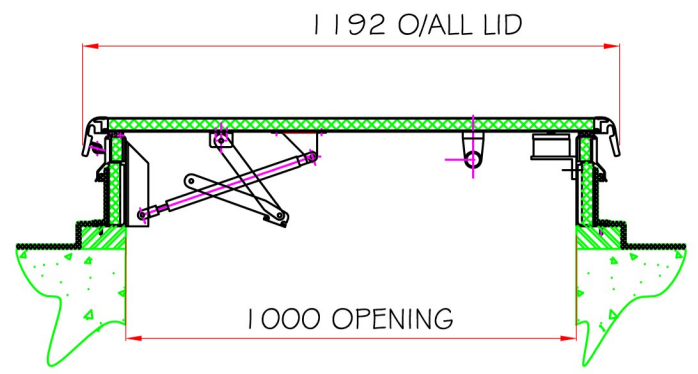
1000 x 1000 LO8 ELECTROMAGNETIC SOLENOID SWITCH

MATERIAL :- ALUMINIUM

FINISH :- SELF COLOUR

1 No. REQD

APPROX COVER WEIGHT: 80KG



ALL HATCHES SHOULD BE FIXED TO A FLAT SURFACE WITH A RECOMMENDED 5° PITCH

Copyright is claimed in this drawing and no copy may be made without prior written permission

The article shown is also the subject of	
patent rights	✓
registered design right	✓
unregistered rights	✓
The drawing is a design document	✓
patent pending	✓

WIND RESTRAINTS SHOULD BE SPECIFIED ON ALL ACCESS HATCHES SUBJECT TO HIGH WIND CONDITIONS

THIS IS A MANUALLY OPERATED ACCESS HATCH/COVER AND IT IS ESSENTIAL THAT SAFE MEANS OF ACCESS IS PROVIDED FOR THE OPERATOR

DRAWING MADE BY CAD
MANUAL CHANGES PROHIBITED

ITEM NO	NO OFF	DRG NO.	ITEM MASS	DENOMINATION	MATERIAL	REMARKS
				M & M ACCESS LTD		
				1000 x 1000		
				LO8 ELECTROMAGNETIC		
				G & H GROUP, BOURNEMOUTH		
				CONTRACT NO.	DRAWING NO.	REV No
				50 8206	8206-1	