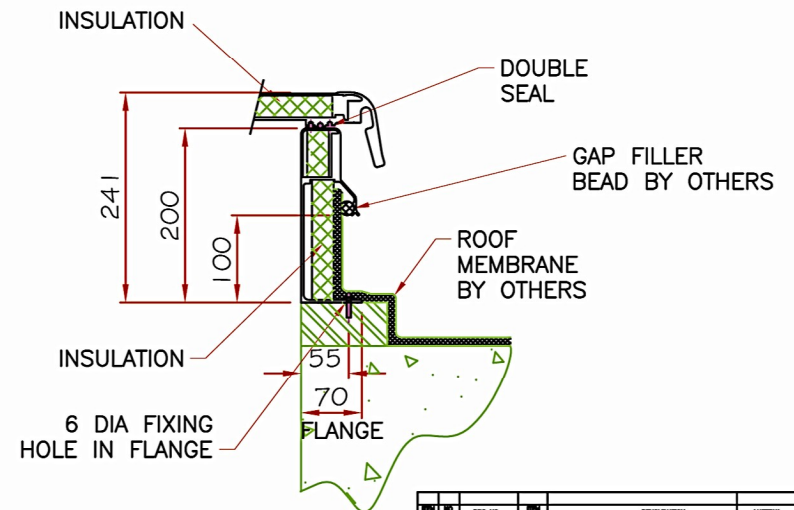
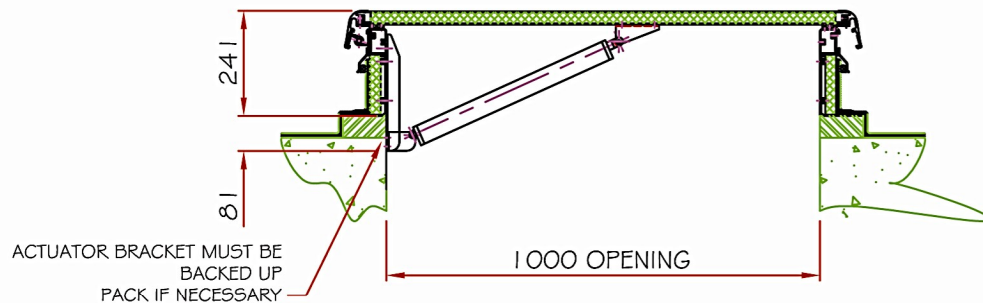
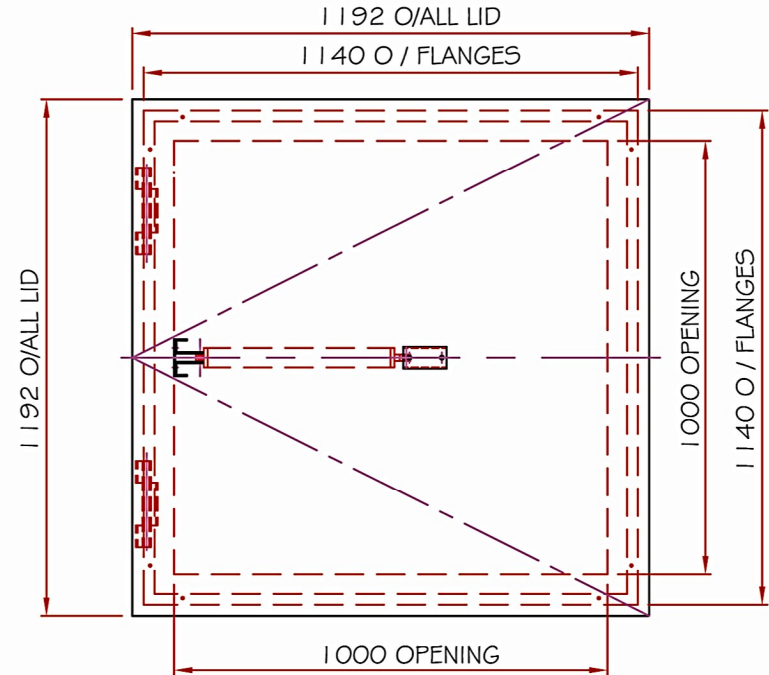
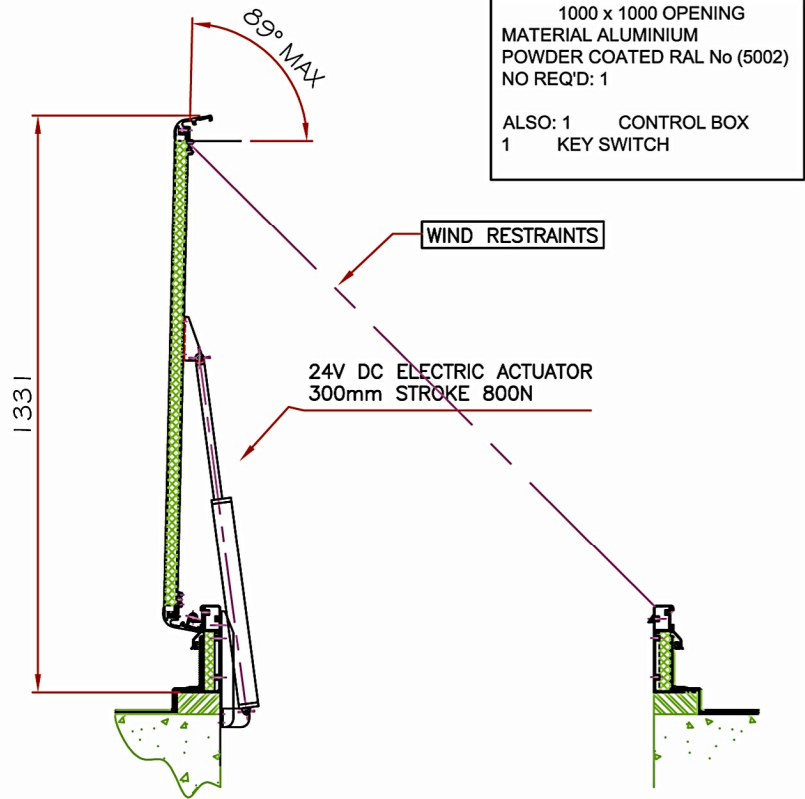


CONFIDENTIAL

INDEX	REV. NO.	BY	DATE	DESCRIPTION



Copyright is claimed in this drawing and no copy may be made without prior written permission	The article shown is also the subject of	
	patent rights	✓
	registered design right	✓
	unregistered rights	✓
	The drawing is a design document	✓
©	patent pending	✓

WIND RESTRAINTS SHOULD BE SPECIFIED ON ALL ACCESS HATCHES SUBJECT TO HIGH WIND CONDITIONS

THIS IS A MANUALLY OPERATED ACCESS HATCH/COVER AND IT IS ESSENTIAL THAT SAFE MEANS OF ACCESS IS PROVIDED FOR THE OPERATOR

DRAWING MADE BY CAD
MANUAL CHANGES PROHIBITED

REV. NO.	DATE	DESCRIPTION	BY	CHKD.

M&M ACCESS
1000 x 1000 C/W ACT.

4835 4835-1

11.11.07